



*In or Out... we make it Easy!*

PLEASE DELIVER ALL INSTALLATION INSTRUCTIONS TO THE END-USER UPON COMPLETION OF THE INSTALLATION.

### Pre-Installation Instructions

1. This product must be installed according to all applicable building and life safety codes.
2. Due to the variety of mounting configurations available with this product, a survey and assessment of the physical area in which the product will be installed must be performed.
3. The door frame must be inspected and deemed structurally sound prior to installation of the electromagnetic lock. The structural integrity of the mounting surfaces must be strong enough to meet or exceed the holding force of the product.
4. The product must be protected from potential damage due to intruders or tampering.
5. The product should be installed in a location that will not hinder or create a potential safety hazard to authorized personnel accessing the protected area.
6. Because electromagnetic locks are used in a variety of applications and different door frame configurations, an experienced installer with knowledge of this product must make a determination of the optimal mounting method for this specific application.
7. The components, hardware, installation instructions and mounting template included with this product are intended for use on outswinging doors.
8. Do not install this product on the exterior of buildings.
9. Do not use as a doorstop. This will void warranty.
10. Separate accessories not included with this product must be used in the following applications:
  - Inswinging doors
  - Narrow head jamb situations or center-hung doors
  - Wherever there is insufficient space on the door frame header to mount the lock
  - Glass or Herculite doors that do not have a door frame
  - Hollow metal or wood frames where the door stop is not thick enough to allow the product to be installed
  - Wherever an obstruction in the door prevents installation of the armature plate at a proper height
  - Doors that do not permit the armature plate to be mounted low enough to meet the magnet surface

Refer to the Product Accessories Guide section of the Installation Instructions for further information.

11. Installation of this product should be done by an experienced installer with knowledge of this product.

**NOTE:** It is highly recommended that thread locking compound be applied to all screws during installation to reduce chance of screws loosening over extended time.

### Installation Instructions

1. Mount the electromagnetic lock to the door frame as outlined on the installation template included with the product.

**NOTE:** During installation of the armature plate to the door it is essential that the armature plate remains movable. The armature plate must be allowed to pivot on the center-mounting bolt to allow proper alignment with the magnet surface. If the plate is not aligned with the magnet surface, the lock may lose holding force or not lock at all.

The head of the armature mounting bolt ships with a rubber washer affixed to it. This washer should project slightly beyond the surface of the armature plate. This is to allow the washer to expand when power is removed and break the air vacuum between the plate and the magnet surface. If this washer is removed or trimmed the lock will appear to have some holding force even when power is removed.

For added safety, thread locking compound has been provided for the armature plate bolt and the four captive electromagnetic lock mounting screws.

**WARNING: Improper installation, maintenance, inspection or usage of the product or any related accessories or parts may cause the electromagnetic lock, armature plate and associated hardware to disengage and fall, causing serious bodily injury and property damage. Rutherford Controls Int'l Corp. will not be liable to the installer, purchaser, end user or anyone else for damage or injury to person or property due to improper installation, care, storage, handling, maintenance, inspection, abuse, misuse or act of God or nature involving this product or any related accessories or parts.**

2. Route the power supply connecting wire through the door frame and into the wire access hole in the top of the magnet housing. Connecting wire should be of sufficient gauge for the lock being installed and the distance being run. See table for current draw specifications and wiring gauge chart.

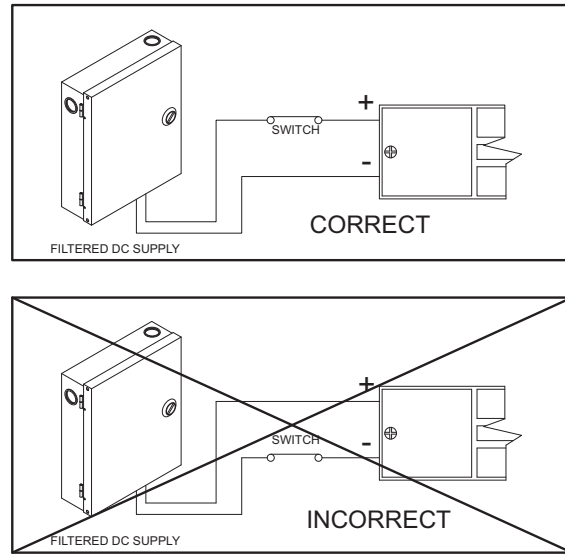
# 8310, 8320, 8330 & 8340 Electromagnetic Lock Installation Instructions (Continued)

- Once wiring has been routed into the lock cavity, connect wire to terminal blocks as shown in Fig. 1. If optional SCS and/or DSS features are being used these can also be wired at this time as shown in Fig. 1.
- Delayed Relock Feature** - Should the built-in delayed relock feature be required for the installation, a Normally Open Momentary switch such as an RCI 909 will need to be installed and connected to the two blue wires from J4 on the circuit board as illustrated in Fig.1.

The delayed relock feature can be used to momentarily release the lock and keep it unlocked for a time period from 0 to 110 seconds. The time delay for this feature can be adjusted by carefully turning the potentiometer (R11) in a counterclockwise direction to increase delay time. Factory setting is zero seconds.

**NOTE:** On the 8320 double-door model the potentiometer in the right-hand wiring cavity must be turned clockwise and the left one counterclockwise to increase the relock delay.

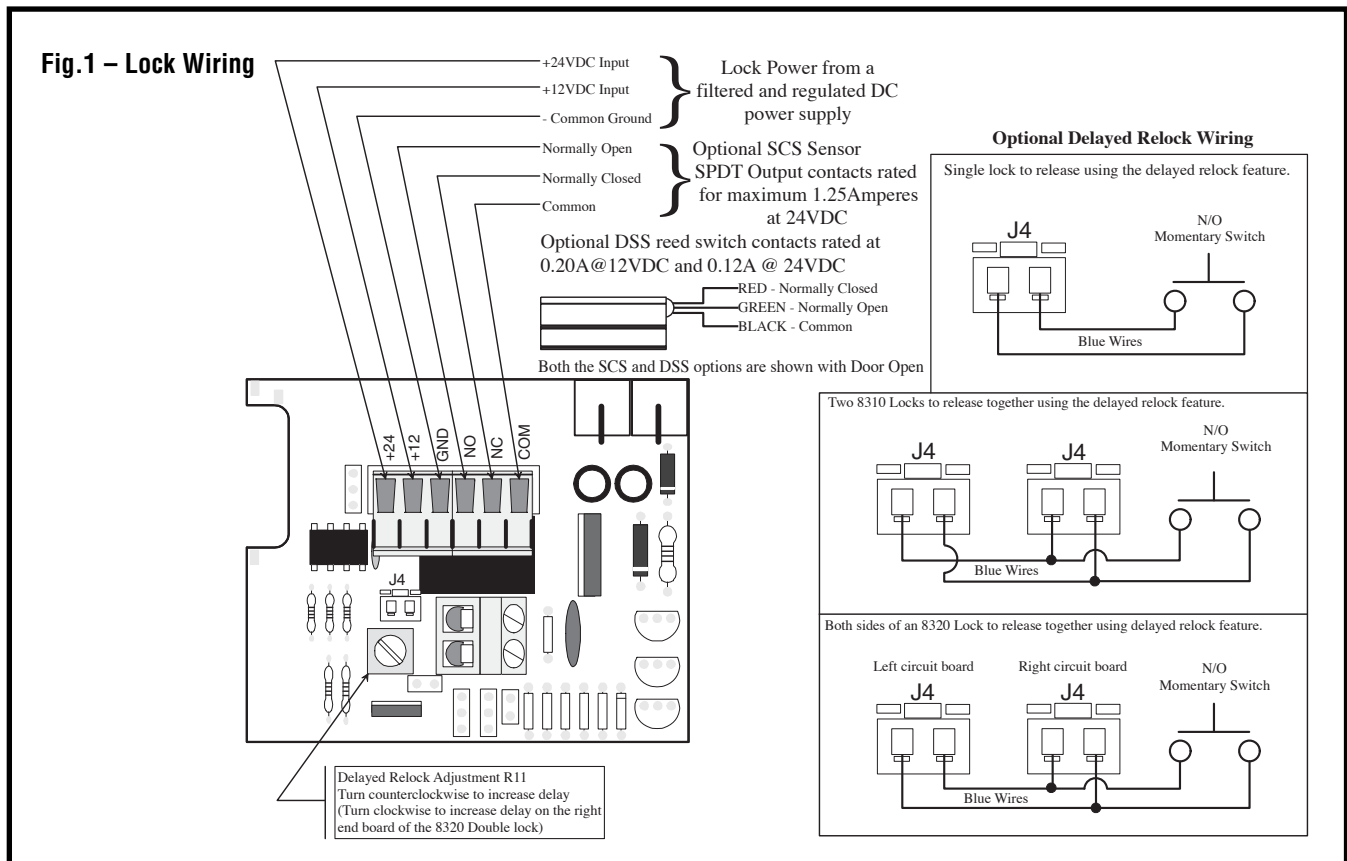
If the delayed relock feature is not required the blue wires may be unplugged from the circuit board @ J4. **NOTE:** If R11 is not set to zero seconds, the lock will enter delayed relock mode each time power is applied even if J4 has been removed.



**Fig. 2 – Power Connections**

**To Ensure Instant Release** All switching devices must be wired in between the DC power source and the positive terminal of the lock in Fig 2.

Switching the negative power supply line will not allow the lock to release immediately. RCI electromagnetic locks contain MOV's for surge suppression and do not require any additional suppression to be added during installation. The installation of diodes across the lock input terminals will cause a delay in release.



# 8310, 8320, 8330 & 8340 Electromagnetic Lock Installation Instructions (Continued)

## Lock Assembly

The 8310 and 8320 Electromagnetic Locks come with screws installed in the housing. These screws, when in place, inhibit the insertion of an Allen wrench into the mounting screw openings on the underside of the lock. These screws will need to be removed prior to installing the lock so as to allow the mounting plate to be removed from the top of the lock. Fig 3 illustrates the location of these screws. One screw acts solely to inhibit tampering while the screw on the other end discourages tampering while holding the cavity cover in place.

## Lock Options

The 8310, 8320, 8330, and 8340 locks can each be equipped with remote indication features that operate as follows. See Fig.1 for wiring diagram. Each of these features will provide indication as to the lock status. Status is indicated locally via an LED mounted on the bottom of the lock housing. Remote notification can also be achieved by connecting a monitoring device to the SPDT relay included on the lock circuit board.

## SCS (Security Condition Sensor)

This feature can detect the quality of the locking bond between the surface of the magnet and the armature plate. The sensitivity of this feature is such that a foreign object with a thickness of .007" (.18mm) is sufficient to allow the sensor to detect a problem.

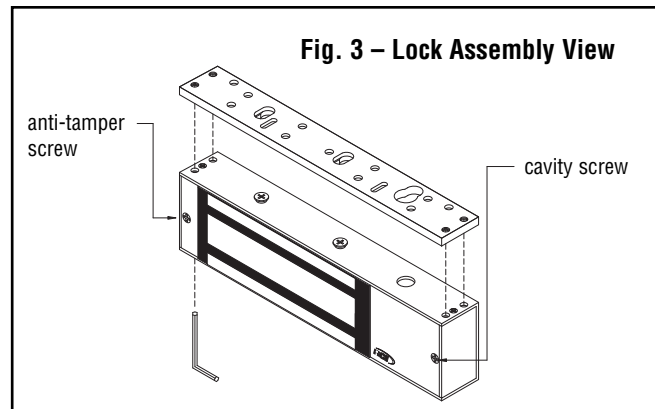
Due to the sensitivity of this feature and the necessity to maintain a reliable locking bond, these surfaces must be kept free of contaminating materials. Both the lock surface and the armature plate must be cleaned periodically with a non-abrasive cleanser. Alignment of armature plate and magnet is required to ensure proper function of sensor.

## Low Voltage Detection

Each SCS circuit board also includes a low voltage detection circuit when shipped from the factory. This feature will cause the alarm relay and status LED to activate should the lock input voltage drop below 10.3VDC if wired for 12VDC or 20.5VDC if wired for 24VDC. That signals a monitored system or guard station that the holding force of the lock may have been compromised.

## DSS (Door Status Sensor)

The DSS option monitors the position of the door upon which the lock is installed. A SPDT reed switch mounted within the lock cavity eliminates the need for extra sensors to be installed on the door for notification of security or access control systems. The DSS option comes with a magnet pre-installed into the lock armature plate for signaling the reed switch in the housing when the door is closed. Care should be taken during the final testing of the lock to ensure that the DSS option is operating in the desired manner.



## Inspection and Maintenance

This product and all related accessories or parts must be inspected and maintained on a quarterly basis. Contacting surfaces of the electromagnetic lock and armature plate must be kept free of contaminating materials. Surfaces must be cleaned periodically with a non-abrasive cleaner.

All mounting fasteners must be inspected on a quarterly basis. When properly installed, the ends of the armature plate allow a slight movement but the plate will feel secure when grasped at the bolt. There should be no movement to the mounting bracket or housing of the electromagnetic lock.

For added safety, thread locking compound has been provided for the armature plate bolt and the four captive electromagnetic lock mounting screws.

**WARNING: Improper installation, maintenance, inspection or usage of the product or any related accessories or parts may cause the electromagnetic lock, armature plate and associated hardware to disengage and fall, causing serious bodily injury and property damage.**

PLEASE DELIVER ALL INSTALLATION INSTRUCTIONS TO THE END-USER UPON COMPLETION OF THE INSTALLATION.

For product support, parts and ordering information contact:

Rutherford Controls Int'l Corp.

USA: 2697 International Parkway, Pkwy 5  
Virginia Beach, VA 23452

Canada: 210 Shearson Crescent  
Cambridge, ON N1T 1J6

Phone: 1-800-265-6630 / 1-519-621-7651

Fax: 1-800-482-9795 / 1-519-621-7939

E-mail: sales@rutherfordcontrols.com

Website: www.rutherfordcontrols.com

# 8310, 8320, 8330 & 8340 Electromagnetic Lock Installation Instructions (Continued)

## Specifications

**MECHANICAL** (Including 1/4" [6.4mm] mounting bracket):

8310 Lock Dimensions:

1 5/8"D x 2 7/8"W x 10 1/2"L (41mm x 73mm x 268mm)

8320 Lock Dimensions:

1 5/8"D x 2 7/8"W x 21"L (41mm x 73mm x 533mm)

8330 Lock Dimensions:

1 5/8"D x 2 7/8"W x 34 1/2"L (41mm x 73mm x 876mm)

8340 Lock Dimensions:

1 5/8"D x 2 7/8"W x 46 1/2"L (41mm x 73mm x 1181mm)

NOTE: Both 8330 and 8340 housings may be cut to length on site

Standard Armature plate dimensions:

5/8"D x 2 3/8"W x 7 7/16"L (16mm x 60mm x 189mm)

DSS Armature plate is 10"L (254mm)

## ELECTRICAL:

**Voltage:** 12VDC or 24VDC

(Selected by choosing appropriate wiring terminals)

**Current:** 0.28A @ 12VDC

0.28A @ 24VDC

NOTE: 8320 lock contains 2 control boards that will each draw 0.28A

**SCS Output Relay:** SPDT relay. Contacts rated at 1.25A@24VDC

**DSS Reed Switch:** Magnetically actuated SPDT switch.

Contacts rated for 0.20A @12VDC and 0.12A @ 24VDC

**ENVIRONMENTAL:** Not for use in outdoor environments.

Circuit board operating temperature: -14 to 140°F (-10 to 60°C)

NOTE: Specifications may change without notice.

## Power Supply

Voltage	8310	8320	8330	8340
12VDC	0.28A	0.28A x 2= 0.56A	0.28A	0.28A
24VDC	0.28A	0.28A x 2= 0.56A	0.28A	0.28A

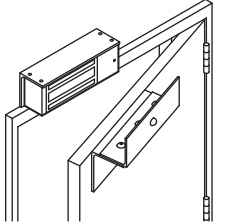
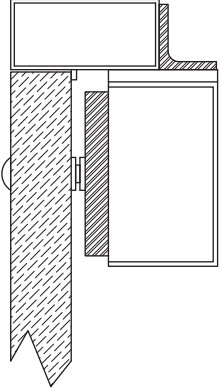
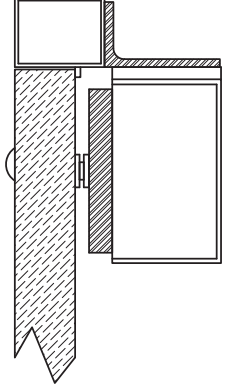
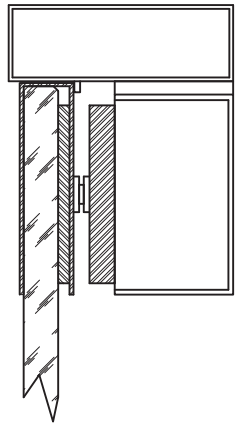
**NOTE:** All RCI electromagnetic locks must be powered with filtered and regulated DC power supplies such as the RCI 10 Series UL Listed power supply. RCI offers a full line of power supplies and switching devices that are suitable for use with the 8300 Series locks.

## 8300 Series Troubleshooting Guide

Problem	Solution
Cannot remove the lock mounting bracket from top of magnet for installation.	Remove anti-tamper screw and cavity screw. Insert supplied Allen wrench into mounting bolt holes in the bottom of the lock housing and turn. (See Fig.3)
Lock is installed but has no holding force at all.	<ul style="list-style-type: none"> <li>- Check power supply. DC power should be slightly over the voltage specifications outlined on the packaging. eg: for 12VDC operation supply should be set at 12VDC-13VDC.</li> <li>- Check connections at power supply, connected releasing devices, lock terminals and lock circuit board to magnet core.</li> <li>- Check delayed relock wiring and time setting</li> <li>- Check that the momentary switch does not include a shunted light option</li> </ul>
Lock has enough holding force to lightly hold a screwdriver or set of pliers but door will not lock.	Check to see that armature plate is correctly aligned with the electromagnetic lock. If there is improper alignment, make a 1/4" turn of the armature plate mounting bolt and check for alignment. <b>CAUTION:</b> The armature plate must remain affixed securely to the door or serious bodily injury or property damage may occur. Bolt should be tight enough to hold the armature plate to the door while still allowing for alignment with the electromagnetic lock.
Lock is operating and locking but the armature plate is "humming" against the surface of the lock.	This generally indicates that the lock is either operating on AC voltage or there is some AC voltage present in the DC supply. A properly filtered and regulated DC power supply is required to achieve optimal operation from the lock.
Lock is not releasing immediately upon removal of power	<p>Ensure that switching devices are interrupting the DC power and not the AC power supply voltage.</p> <p>Ensure rubber washer on armature plate mounting bolt has not been removed or damaged</p> <ul style="list-style-type: none"> <li>- Check that switching device interrupts the positive wire and not the negative wire (See Fig. 2)</li> <li>- Remove any Diodes or other suppression devices that may be installed</li> </ul>

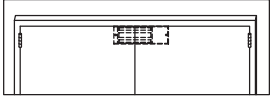
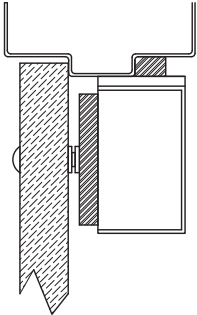
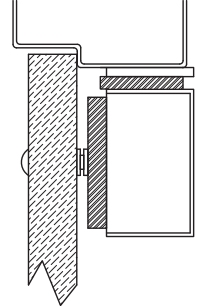
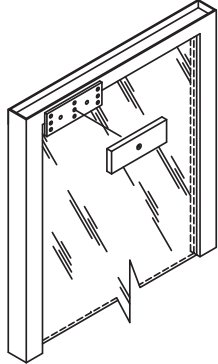
# 8310, 8320, 8330 & 8340 Electromagnetic Lock Installation Instructions (Continued)

## Product Accessories Guide (Separate installation instructions provided with accessories.)

Part	Usage	Example
Top Jamb Bracket	<p>Top Jamb bracket and angle bracket kit is required for use when mounting the lock on a door that swings inwards. Magnet mounts to the underside of an angle bracket mounted on the frame. Armature plate mounts to “Z” bracket assembly mounted to door face.</p> <p>Available for all 8310 and 8320 locks.</p>	
Angle Bracket	<p>Used in a narrow head jamb situation or for center-hung doors. Any place where there is insufficient frame depth to mount the lock.</p> <p>Available in several different sizes and finishes.</p> <p>Available for all 8310 and 8320 locks.</p>	
“L” Bracket	<p>Required wherever there is insufficient space on the frame header to mount the lock. The lock mounts to the underside of the “L” bracket and the “L” bracket then gets mounted to the doorframe.</p> <p>Available in several different sizes and finishes.</p> <p>Available for all 8310 and 8320 locks.</p>	
Glass Door Bracket	<p>Allows an armature plate to be mounted to a glass or Herculite door that does not have a frame. The Glass Door Bracket is a “U”-shaped piece of 1/16” thick material that slips over the top of the glass panel and tightens to the glass with setscrews. The Armature plate mounts directly to the surface of the bracket by means of a threaded hole in the bracket assembly plate.</p> <p>Available for both 1/2” and 3/4” thick glass doors.</p>	

## 8310, 8320, 8330 & 8340 Electromagnetic Lock Installation Instructions (Continued)

### Product Accessories Guide Continued

Part	Usage	Example
<p style="text-align: center;">Split Armature Plates</p>	<p>Used for traffic control applications where two doors are to be used with a single 8310 lock. The Split Armature plates are half the length of a standard armature. Each of these is mounted on one of a pair of doors with an 8310 lock centered on the frame between the doors.</p> <p><b>Note:</b> Use of split armature plates will reduce holding force.</p>	
<p style="text-align: center;">Filler Bars</p>	<p>Used to provide extra mounting space in a hollow metal or wood frame where the door stop of the frame is not thick enough to allow a lock to be installed.</p> <p>Available in several different heights and widths.</p>	
<p style="text-align: center;">Spacer Bars</p>	<p>For use when an obstruction in the door prevents the installation of the armature plate at a proper height. If the armature plate needs to be lowered then a spacer bar can be used to lower the lock from the frame.</p> <p>Available in several different heights.</p>	
<p style="text-align: center;">Armature Holder</p>	<p>For use with doors that do not permit the armature plate to be mounted low enough to meet the magnet surface. Eg: Some aluminum framed commercial glass doors. The armature holder can be mounted to whatever frame is available and the armature plate in turn mounted to the holder.</p> <p>Available in both flat (shown) and pocket styles.</p>	

**Also Available**

**DSS Retrofit Kit-** Allows a DSS option to be added to a lock that was not originally equipped with DSS.

# 8310, 8320, 8330 & 8340 Electromagnetic Lock Installation Instructions (Continued)

## WIRE GAUGE SELECTIONS

Total One Way Length of Wire Run (ft.)	Load Current @24V							
	1/4A	1/2A	3/4A	1A	1-1/4A	1-1/2A	2A	3A
100	24	20	18	18	16	16	14	12
150	22	18	16	16	14	14	12	10
200	20	18	16	14	14	12	12	10
250	18	16	14	14	12	12	12	10
300	18	16	14	12	12	12	10	--
400	18	14	12	12	10	10	--	--
500	16	14	12	10	10	--	--	--
750	14	12	10	10	--	--	--	--
1000	14	10	10	--	--	--	--	--
1500	12	10	--	--	--	--	--	--

Total One Way Length of Wire Run (ft.)	Load Current @12V							
	1/4A	1/2A	3/4A	1A	1-1/4A	1-1/2A	2A	3A
100	20	18	16	14	14	12	12	10
150	18	16	14	12	12	12	10	--
200	16	14	12	12	10	10	--	--
250	16	14	12	10	10	10	--	--
300	16	12	12	10	10	--	--	--
400	14	12	10	--	--	--	--	--
500	14	10	10	--	--	--	--	--
750	12	10	--	--	--	--	--	--
1000	10	--	--	--	--	--	--	--
1500	10	--	--	--	--	--	--	--

Wire Gauge Chart courtesy of Electronic Locking Devices by John L. Schum

