



IntelliMag® Electromagnetic Locks

In or Out... we make it Easy!

PLEASE DELIVER ALL INSTALLATION INSTRUCTIONS TO THE END-USER UPON COMPLETION OF THE INSTALLATION.

Pre-Installation Instructions

1. This product must be installed according to all applicable building and life safety codes.
 2. Due to the variety of mounting configurations available with this product, a survey and assessment of the physical area in which the product will be installed must be performed.
 3. The door frame must be inspected and deemed structurally sound prior to installation of the electromagnetic lock. The structural integrity of the mounting surfaces must be strong enough to meet or exceed the holding force of the product.
 4. The product must be protected from potential damage due to intruders or tampering.
 5. The product should be installed in a location that will not hinder or create a potential safety hazard to authorized personnel accessing the protected area.
 6. Because electromagnetic locks are used in a variety of applications and different door frame configurations, an experienced installer with knowledge of this product must make a determination of the optimal mounting method for this specific application.
 7. The components, hardware, installation instructions and mounting template included with this product are intended for use on outswinging doors.
 8. Do not install this product on the exterior of buildings.
 9. Do not use as a doorstop. This will void warranty.
 10. Separate accessories not included with this product must be used in the following applications:
 - Inswinging doors
 - Narrow head jamb situations or center-hung doors
 - Wherever there is insufficient space on the door frame header to mount the lock
 - Glass or Herculite doors that do not have a door frame
 - Hollow metal or wood frames where the door stop is not thick enough to allow the product to be installed
 - Wherever an obstruction in the door prevents installation of the armature plate at a proper height
 - Doors that do not permit the armature plate to be mounted low enough to meet the magnet surface
- Refer to the Product Accessories Guide section of the Installation Instructions for further information.
11. Installation of this product should be done by an experienced installer with knowledge of this product.
- NOTE:** It is highly recommended that thread locking compound be applied to all screws during installation to reduce chance of screws loosening over extended time.

Installation Instructions

1. Mount the electromagnetic lock to the door frame as outlined on the installation template included with the product.

NOTE: During installation of the armature plate to the door it is essential that the armature plate remains movable. The armature plate must be allowed to pivot on the center-mounting bolt to allow proper alignment with the magnet surface. If the plate is not aligned with the magnet surface, the lock may lose holding force or not lock at all.

The head of the armature mounting bolt ships with a rubber washer affixed to it. This washer should project slightly beyond the surface of the armature plate. This is to allow the washer to expand when power is removed and break the air vacuum between the plate and the magnet surface. If this washer is removed or trimmed the lock will appear to have some holding force even when power is removed.

For added safety, thread locking compound has been provided for the armature plate bolt and the four captive electromagnetic lock mounting screws.

WARNING: Improper installation, maintenance, inspection or usage of the product or any related accessories or parts may cause the electromagnetic lock, armature plate and associated hardware to disengage and fall, causing serious bodily injury and property damage. Rutherford Controls Int'l Corp. will not be liable to the installer, purchaser, end user or anyone else for damage or injury to person or property due to improper installation, care, storage, handling, maintenance, inspection, abuse, misuse or act of God or nature involving this product or any related accessories or parts.

2. Route the power supply connecting wire through the door frame and into the wire access hole in the top of the magnet housing. Connecting wire should be of sufficient gauge for the lock being installed and the distance being run. See table for current draw specifications and wire gauge chart.

8310-IQ, 8320-IQ, 8330-IQ & 8340-IQ Electromagnetic Lock Installation Instructions (Continued)

3. Set the DC voltage jumpers on JP1 as follows.

For **12V operation** two jumpers are used; One on the two upper pins and the other on the two lower ones.

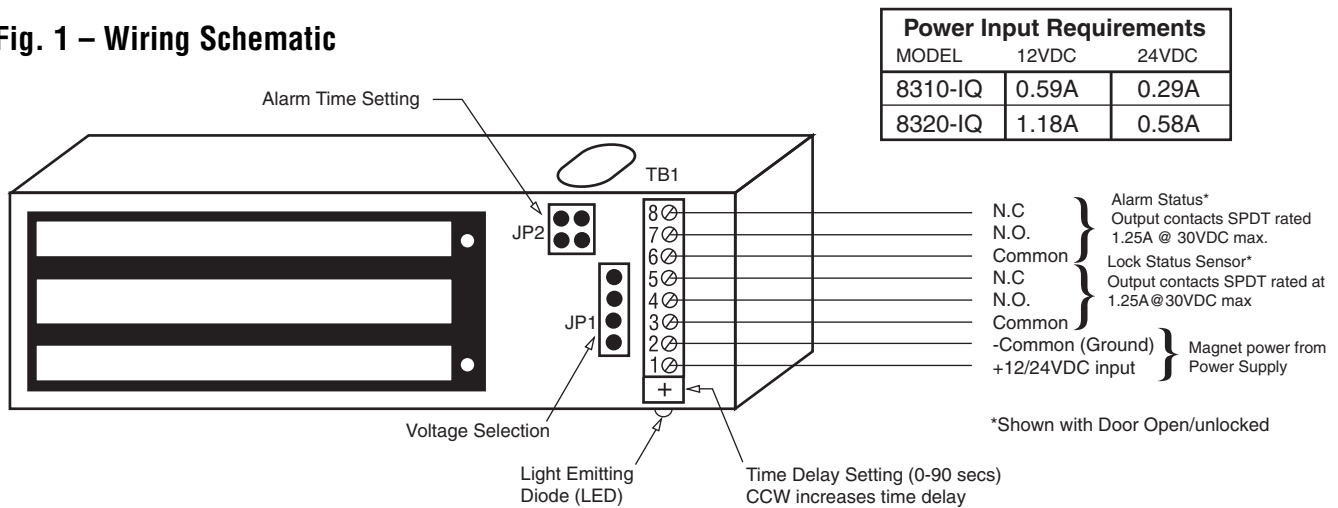
For **24V operation** only one jumper is used to connect the two center pins (factory setting)

Connect the positive (+) lead from the power supply to TB1-1. Connect the negative (-) lead from the power supply to TB1-2. For wiring installations, refer to figure 1.

4. **Delayed Relock Feature** - The delayed relock feature can be used to momentarily release the lock and keep it unlocked for a time period from 0 to 90 seconds. The time delay for this feature can be adjusted by carefully turning the potentiometer in a counterclockwise direction to increase delay time. Factory setting is zero seconds (fully clockwise).

NOTE: On the 8320 double-door model turn both potentiometers counterclockwise to increase the relock delay.

Fig. 1 – Wiring Schematic



Electromagnetic locks must conform to local fire codes, National Building Codes and Life Safety Codes. See your Local Authority Having Jurisdiction for specific code requirements.

LSS Remote Indication (Lock Status Sensor)

Magnet Locked - When the magnet is locked, the common contact (TB1-3) and the normally open contact (TB1-4) are closed. The normally closed contact (TB1-5) would be open.

Magnet Unlocked - When the magnet is unlocked, the common contact (TB1-3) and the normally closed contact (TB1-5) are closed. The LSS relay contacts are rated 30VDC @ 2.0 amps maximum.

This feature can detect the quality of the locking bond between the surface of the magnet and the armature plate. The sensitivity of this feature is such that a foreign object with a thickness of .007" (.18mm) is sufficient to allow the sensor to detect a problem.

Due to the sensitivity of this feature and the necessity to maintain a reliable locking bond, these surfaces must be kept free of contaminating materials. Both the lock surface and the armature plate must be cleaned periodically with a non-abrasive cleanser. Alignment of armature plate and magnet is required to ensure proper function of sensor.

LED Local Indication (Light Emitting Diode)

Red LED on solid – Maglock is unlocked

Green LED on solid – Maglock is locked.

Red LED blinking quickly – Illegal armature plate used; alarm will be activated.

Alarm

Alarm Status Remote Indication - When the door is closed and an illegal armature plate is detected, the common contact (TB1-6) and the normally open contact (TB1-7) are activated for the preset period of time. The alarm status relay contacts are rated at 30VDC @ 2.0 amps maximum.

Alarm Time Setting

Refer to figure 1 (JP2). Note 15 or 30 seconds requires one jumper; 60 seconds requires no jumper and indefinitely requires two jumpers. Unused jumpers can be stored on a single pin.



Each individually encoded armature plate is registered to match it's own electromagnetic lock.

8310-IQ, 8320-IQ, 8330-IQ & 8340-IQ Electromagnetic Lock Installation Instructions (Continued)

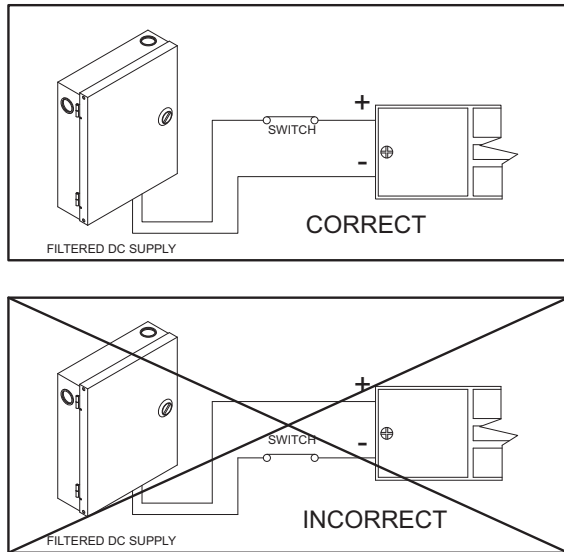


Fig. 2 – Power Connections

Lock Assembly

The IntelliMag® Electromagnetic Locks come with screws installed in the housing. These screws, when in place, inhibit the insertion of an Allen wrench into the mounting screw openings on the underside of the lock. These screws will need to be removed prior to installing the lock so as to allow the mounting plate to be removed from the top of the lock. Fig 3 illustrates the location of these screws. One screw acts solely to inhibit tampering while the screw on the other end discourages tampering while holding the cavity cover in place.

Inspection and Maintenance

This product and all related accessories or parts must be inspected and maintained on a quarterly basis. Contacting surfaces of the electromagnetic lock and armature plate must be kept free of contaminating materials. Surfaces must be cleaned periodically with a non-abrasive cleaner.

All mounting fasteners must be inspected on a quarterly basis. When properly installed, the ends of the armature plate allow a slight movement but the plate will feel secure when grasped at the bolt. There should be no movement to the mounting bracket or housing of the electromagnetic lock.

For added safety, thread locking compound has been provided for the armature plate bolt and the four captive electromagnetic lock mounting screws.

WARNING: Improper installation, maintenance, inspection or usage of the product or any related accessories or parts may cause the electromagnetic lock, armature plate and associated hardware to disengage and fall, causing serious bodily injury and property damage.

To Ensure Instant Release All switching devices must be wired in between the DC power source and the positive terminal of the lock in Fig 2.

Switching the negative power supply line will not allow the lock to release immediately. RCI electromagnetic locks contain MOV's for surge suppression and do not require any additional suppression to be added during installation. The installation of diodes across the lock input terminals will cause a delay in release.

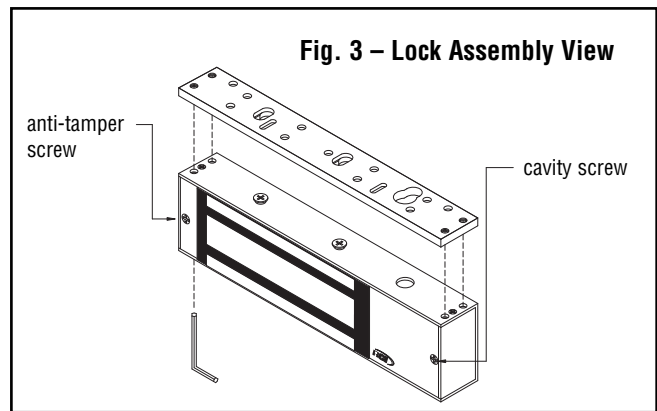


Fig. 3 – Lock Assembly View

PLEASE DELIVER ALL INSTALLATION INSTRUCTIONS TO THE END-USER UPON COMPLETION OF THE INSTALLATION.

For product support, parts and ordering information contact:

Rutherford Controls Int'l Corp.

USA: 2697 International Parkway, Pkwy 5
Virginia Beach, VA 23452

Canada: 210 Shearson Crescent
Cambridge, ON N1T 1J6

Phone: 1-800-265-6630 / 1-519-621-7651

Fax: 1-800-482-9795 / 1-519-621-7939

E-mail: sales@rutherfordcontrols.com

Website: www.rutherfordcontrols.com

8310-IQ, 8320-IQ, 8330-IQ & 8340-IQ Electromagnetic Lock Installation Instructions (Continued)

Specifications

MECHANICAL (Including 1/4" [6.4mm] mounting bracket):

8310 Lock Dimensions:

1-5/8"D x 2-7/8"W x 10-1/2"L (41mm x 73mm x 268mm)

8320 Lock Dimensions:

1-5/8"D x 2-7/8"W x 21"L (41mm x 73mm x 533mm)

8330 Lock Dimensions:

1-5/8"D x 2-7/8"W x 34-1/2"L (41mm x 73mm x 876mm)

8340 Lock Dimensions:

1-5/8"D x 2-7/8"W x 46-1/2"L (41mm x 73mm x 1181mm)

NOTE: Both 8330 and 8340 housings may be cut to length on site

Standard Armature plate dimensions:

5/8"D x 2-3/8"W x 7-7/16"L (16mm x 60mm x 189mm)

ELECTRICAL:

Voltage: 12VDC or 24VDC

(Selected by choosing appropriate jumper settings)

Current: 0.59A @ 12VDC

0.29A @ 24VDC

NOTE: 8320 lock contains 2 control boards that will each draw 0.59A @12VDC and 0.29A@24VDC

LSS Output Relay: SPDT relay. Contacts rated at 2.0A @ 30VDC

Alarm Output Relay: SPDT relay. Contacts rated at 2.0A @ 30VDC

ENVIRONMENTAL:

Not for use in outdoor environments.

Circuit board operating temperature: -14 to 140°F (-10 to 60°C)

NOTE: All RCI electromagnetic locks must be powered with filtered and regulated DC power supplies such as the RCI 10 Series UL Listed power supply. RCI offers a full line of power supplies and switching devices that are suitable for use with the 8300-IQ Series locks.

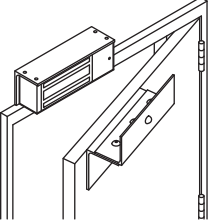
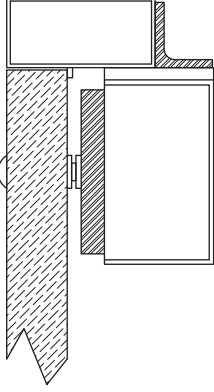
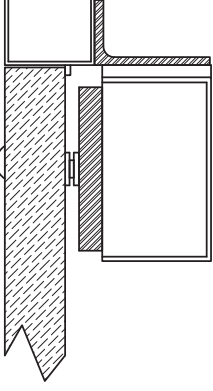
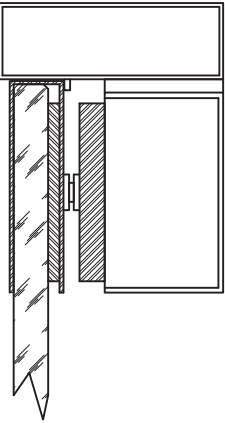
Specifications are subject to change without notice.

8300-IQ Series Troubleshooting Guide

Problem	Solution
Cannot remove the lock mounting bracket from top of magnet for installation.	Remove anti-tamper screw and cavity screw. Insert supplied Allen wrench into mounting bolt holes in the bottom of the lock housing and turn. (See Fig.3)
Red LED blinking quickly	Armature plates are uniquely registered to the lock they are shipped with. If both LED's on the 8320IQ are blinking swap left and right plates and retry.
LED does not light up	Check power supply connections. Check for blown mini fuse.
Lock is installed but has no holding force at all.	<ul style="list-style-type: none"> - Check power supply. DC power should be slightly over the voltage specifications outlined on the packaging. eg: for 12VDC operation supply should be set at 12VDC-13VDC. - Check connections at power supply, connected releasing devices, lock terminals and lock circuit board to magnet core. - Check delayed relock wiring and time setting - Check that the momentary switch does not include a shunted light option.
Lock has enough holding force to lightly hold a screwdriver or set of pliers but door will not lock.	Check to see that armature plate is correctly aligned with the electromagnetic lock. If there is improper alignment, make a 1/4" turn of the armature plate mounting bolt and check for alignment. CAUTION: The armature plate must remain affixed securely to the door or serious bodily injury or property damage may occur. Bolt should be tight enough to hold the armature plate to the door while still allowing for alignment with the electromagnetic lock.
Lock is operating and locking but the armature plate is "humming" against the surface of the lock.	This generally indicates that the lock is either operating on AC voltage or there is some AC voltage present in the DC supply. A properly filtered and regulated DC power supply is required to achieve optimal operation from the lock.
Lock is not releasing immediately upon removal of power	<p>Ensure that switching devices are interrupting the DC power and not the AC power supply voltage.</p> <p>Ensure rubber washer on armature plate mounting bolt has not been removed or damaged</p> <ul style="list-style-type: none"> - Check that switching device interrupts the positive wire and not the negative wire (See Fig. 2) - Remove any Diodes or other suppression devices that may be installed

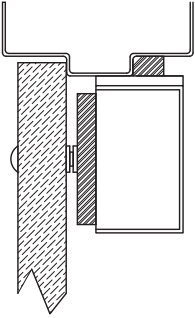
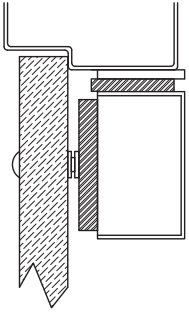
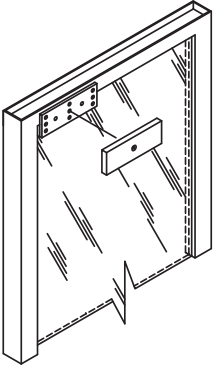
8310-IQ, 8320-IQ, 8330-IQ & 8340-IQ Electromagnetic Lock Installation Instructions (Continued)

Product Accessories Guide (Separate installation instructions provided with accessories.)

Part	Usage	Example
<p>Top Jamb Bracket</p>	<p>Top Jamb bracket and angle bracket kit is required for use when mounting the lock on a door that swings inwards. Magnet mounts to the underside of an angle bracket mounted on the frame. Armature plate mounts to “Z” bracket assembly mounted to door face. Available for all 8310 and 8320 locks.</p>	
<p>Angle Bracket</p>	<p>Used in a narrow head jamb situation or for center-hung doors. Any place where there is insufficient frame depth to mount the lock.</p> <p>Available in several different sizes and finishes. Available for all 8310 and 8320 locks.</p>	
<p>“L” Bracket</p>	<p>Required wherever there is insufficient space on the frame header to mount the lock. The lock mounts to the underside of the “L” bracket and the “L” bracket then gets mounted to the doorframe.</p> <p>Available in several different sizes and finishes. Available for all 8310 and 8320 locks.</p>	
<p>Glass Door Bracket</p>	<p>Allows an armature plate to be mounted to a glass or Herculite door that does not have a frame. The Glass Door Bracket is a “U”-shaped piece of 1/16” thick material that slips over the top of the glass panel and tightens to the glass with setscrews. The Armature plate mounts directly to the surface of the bracket by means of a threaded hole in the bracket assembly plate.</p> <p>Available for both 1/2” and 3/4” thick glass doors.</p>	

8310-IQ, 8320-IQ, 8330-IQ & 8340-IQ Electromagnetic Lock Installation Instructions (Continued)

Product Accessories Guide Continued

Part	Usage	Example
<p style="text-align: center;">Filler Bars</p>	<p>Used to provide extra mounting space in a hollow metal or wood frame where the door stop of the frame is not thick enough to allow a lock to be installed.</p> <p>Available in several different heights and widths.</p>	
<p style="text-align: center;">Spacer Bars</p>	<p>For use when an obstruction in the door prevents the installation of the armature plate at a proper height. If the armature plate needs to be lowered then a spacer bar can be used to lower the lock from the frame.</p> <p>Available in several different heights.</p>	
<p style="text-align: center;">Armature Holder</p>	<p>For use with doors that do not permit the armature plate to be mounted low enough to meet the magnet surface. Eg: Some aluminum framed commercial glass doors. The armature holder can be mounted to whatever frame is available and the armature plate in turn mounted to the holder.</p> <p>Available in both flat (shown) and pocket styles.</p>	

8310-IQ, 8320-IQ, 8330-IQ & 8340-IQ Electromagnetic Lock Installation Instructions (Continued)

WIRE GAUGE SELECTIONS

Total One Way Length of Wire Run (ft.)	Load Current @24V							
	1/4A	1/2A	3/4A	1A	1-1/4A	1-1/2A	2A	3A
100	24	20	18	18	16	16	14	12
150	22	18	16	16	14	14	12	10
200	20	18	16	14	14	12	12	10
250	18	16	14	14	12	12	12	10
300	18	16	14	12	12	12	10	--
400	18	14	12	12	10	10	--	--
500	16	14	12	10	10	--	--	--
750	14	12	10	10	--	--	--	--
1000	14	10	10	--	--	--	--	--
1500	12	10	--	--	--	--	--	--

Total One Way Length of Wire Run (ft.)	Load Current @12V							
	1/4A	1/2A	3/4A	1A	1-1/4A	1-1/2A	2A	3A
100	20	18	16	14	14	12	12	10
150	18	16	14	12	12	12	10	--
200	16	14	12	12	10	10	--	--
250	16	14	12	10	10	10	--	--
300	16	12	12	10	10	--	--	--
400	14	12	10	--	--	--	--	--
500	14	10	10	--	--	--	--	--
750	12	10	--	--	--	--	--	--
1000	10	--	--	--	--	--	--	--
1500	10	--	--	--	--	--	--	--

Wire Gauge Chart courtesy of Electronic Locking Devices by John L. Schum

