

Armature Holder

For 8375 Electromagnetic Locks

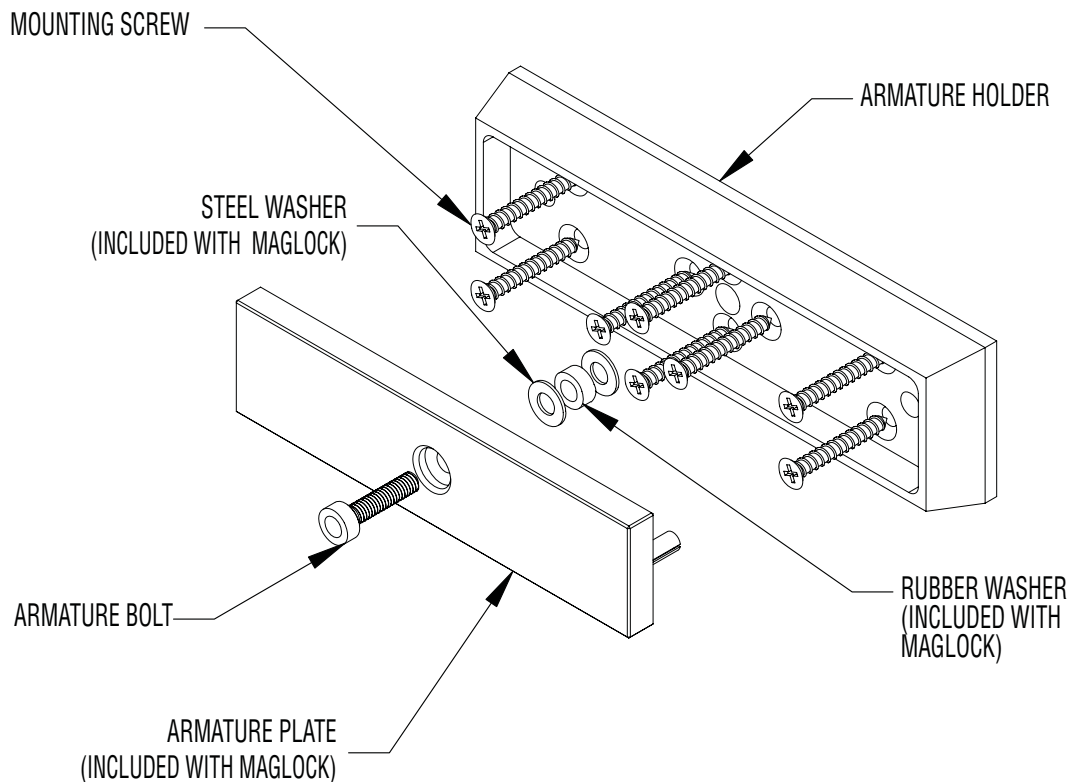


In or Out... we make it Easy!

Instructions

The armature plate holder is used when the door cannot accommodate the magnet armature plate according to standard mounting hardware procedures. The holder mounts on the face of the door using the hardware kit supplied, which includes:

- 8 #10 x 1-1/4" sheet metal screws (for mounting holder)
- 1 Armature bolt with rubber head assembly
- 1 Armature Holder



NOTE: Not to scale. Specifications are subject to change without notice.