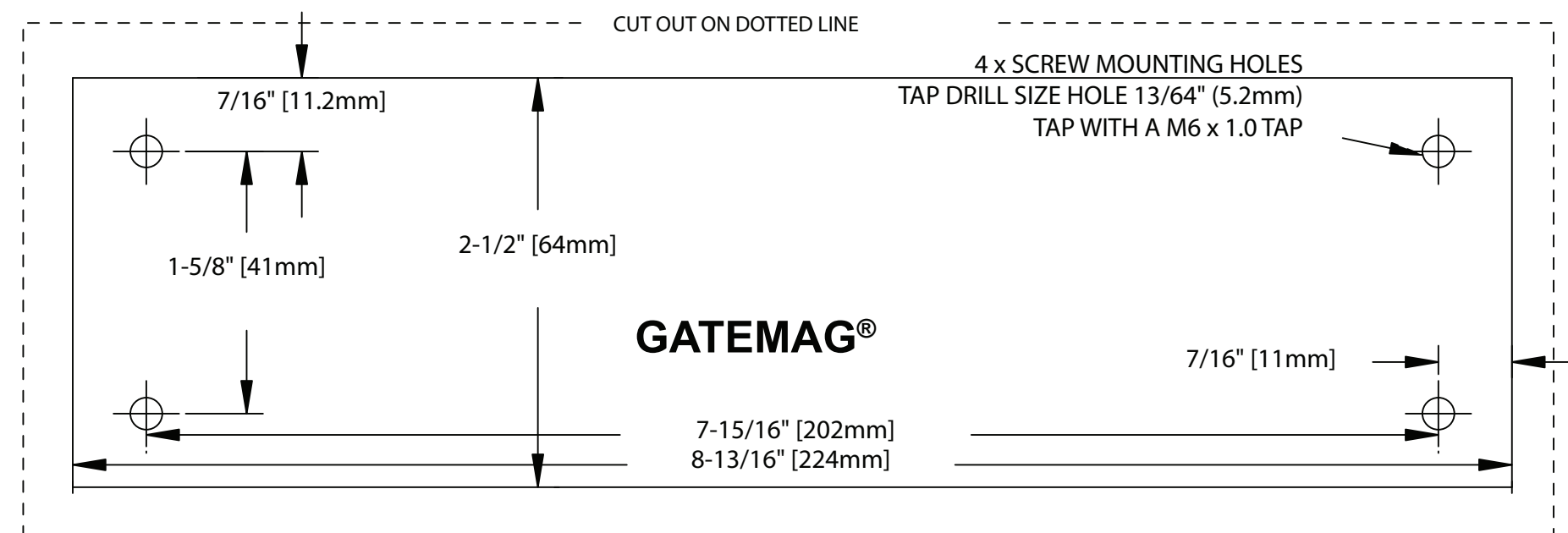
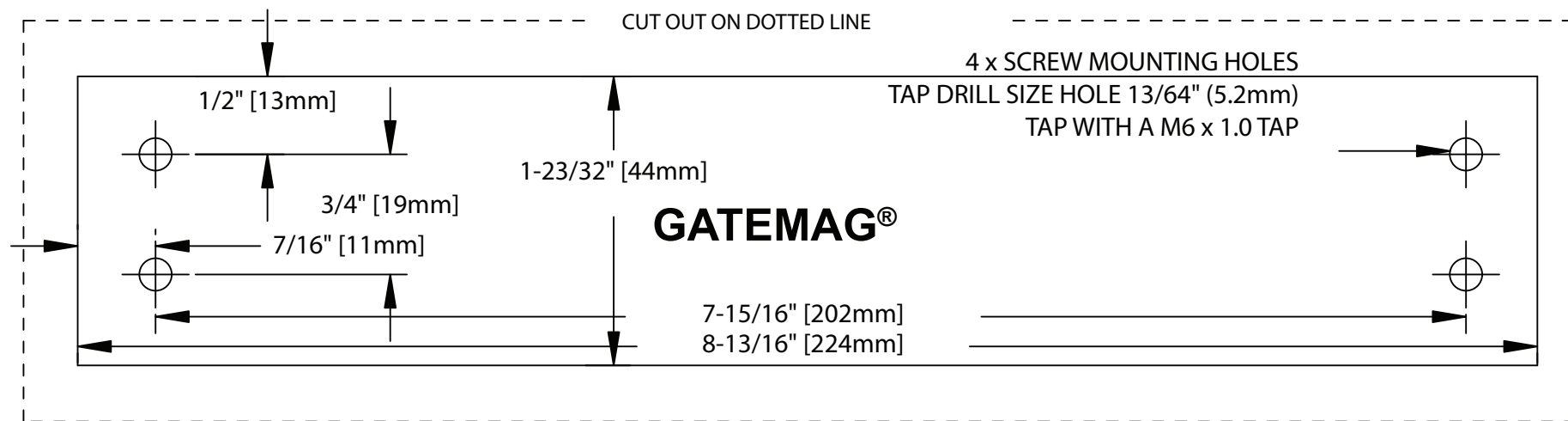


# TEMPLATE FOR MODEL 8380

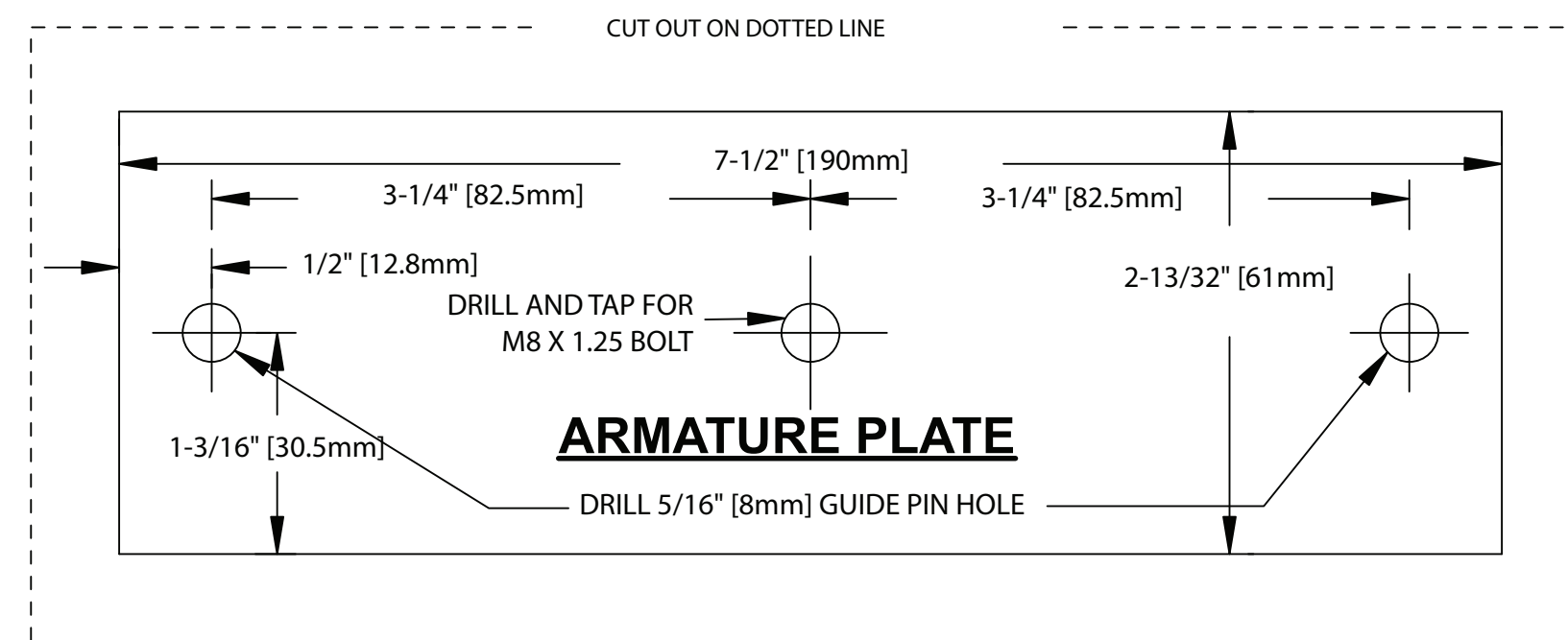
## FACE MOUNT



## SIDE MOUNT



## REQUIRED WHEN NOT USING RCI MOUNTING BRACKETS

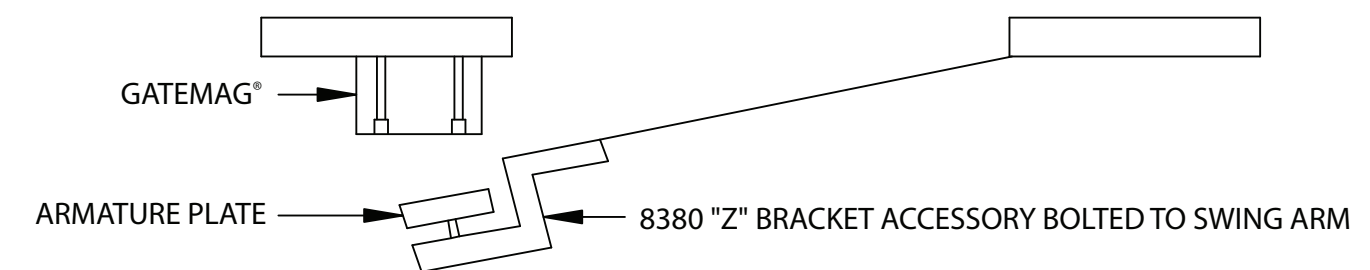


DUE TO THE WIDE VARIETY OF GATES MANUFACTURED, EACH INSTALLATION IS CONSIDERED SPECIAL AND CUSTOM MOUNTING BRACKETS MAY BE REQUIRED. GATEMAG® WILL BE MOUNTED ON THE FIXED POST AND THE ARMATURE PLATE ON THE SWINGING OR SLIDING MEMBER OF GATE. ALIGN ARMATURE PLATE TO MAKE CONTACT WITH MAGNET FACE. FOR HIGH SECURITY OR TALL GATE APPLICATIONS, RCI RECOMMENDS 2 POINT LOCKING.

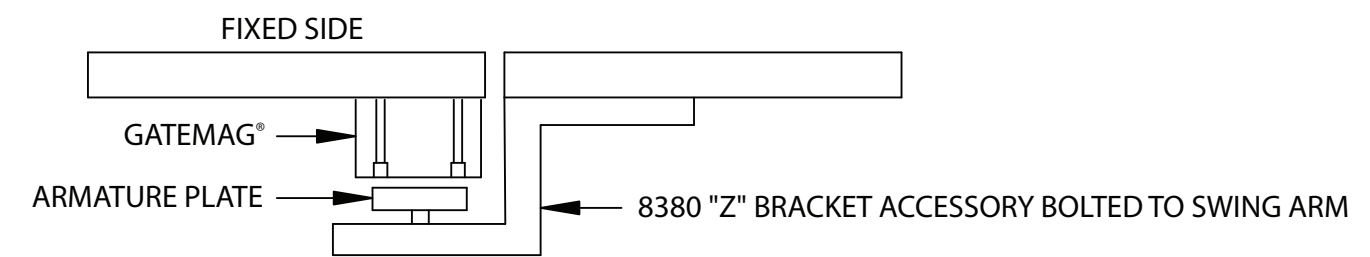
NOTE: Do not use as a doorstop. This will void warranty.

## MOUNTING TECHNIQUES

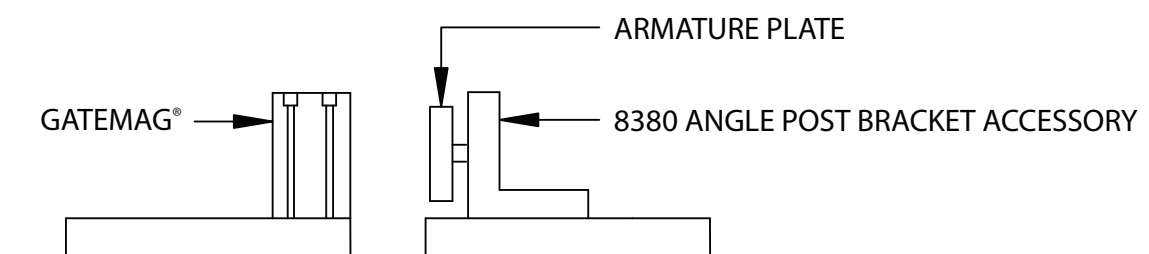
### SINGLE SWING GATE



### DOUBLE SWING GATE



### SLIDING GATE



**DO NOT SCALE**  
For dimensional purposes only

## MOUNTING INSTRUCTIONS

**STEP 1** - READ PRE-INSTALLATION INSTRUCTIONS

**STEP 2** - CUT OUT REQUIRED GATEMAG® TEMPLATE ALONG DOTTED LINE. PLACE TEMPLATE AGAINST FLAT PORTION OF FIXED POST OR CUSTOMIZED MOUNTING BRACKET. DRILL 4 HOLES AS INDICATED ON TEMPLATE. (HOLE LOCATIONS ARE CRITICAL. DO NOT LET YOUR MARKING OR DRILLING WANDER). CAREFULLY APPLY THREAD LOCKING COMPOUND TO EXPOSED THREADS. MOUNT GATEMAG® TO FIXED POST OR MOUNTING BRACKET.

**STEP 3** - POSITION BOLT WITH RUBBER HEAD THROUGH THE ARMATURE PLATE. ADD 3 WASHERS (STEEL - RUBBER - STEEL) ONTO BOLT. CAREFULLY APPLY THREAD LOCKING COMPOUND ONTO EXPOSED THREAD WHILE ALIGNING PINS SECURE ARMATURE PLATE TO BRACKET BY THREADING INTO M8 COLLAR.

NOTE: DO NOT OVERTIGHTEN ARMATURE PLATE. IT MUST REMAIN MOVEABLE TO ALLOW SURFACE ALIGNMENT WITH ELECTROMAGNETIC LOCK.

**STEP 4** - WITH GATE IN CLOSED POSITION ALIGN ARMATURE PLATE TO GATEMAG® FACE. SECURE MOUNTING BRACKET TO SWINGING PORTION OF GATE AS REQUIRED.

**STEP 5** - WIRE CAREFULLY PER INSTALLATION INSTRUCTIONS.

WHEN PROPERLY INSTALLED, THE ENDS OF THE ARMATURE PLATE ALLOW A SLIGHT MOVEMENT BUT THE PLATE WILL FEEL SECURE WHEN GRASPED AT THE BOLT. THERE SHOULD BE NO MOVEMENT TO THE MOUNTING BRACKET OR HOUSING OF THE ELECTROMAGNETIC LOCK.

NOTE: UL AND ULC LISTED ELECTROMAGNETIC LOCKING DEVICES MUST BE USED WITH UL OR ULC APPROVED POWER SUPPLIES. (RCI OFFERS A FULL LINE OF POWER SUPPLIES) RCI'S 8380 ELECTROMAGNETIC LOCKING DEVICES ARE cULus LISTED (ISSUE 632C).

**WARNING: Improper installation, maintenance, inspection or usage of the product or any related accessories or parts may cause the electromagnetic lock, armature plate and associated hardware to disengage and fall, causing serious bodily injury and property damage. Rutherford Controls Int'l Corp. will not be liable to the installer, purchaser, end user or anyone else for damage or injury to person or property due to improper installation, care, storage, handling, maintenance, inspection, abuse, misuse or act of God or nature involving this product or any related accessories or parts.**

