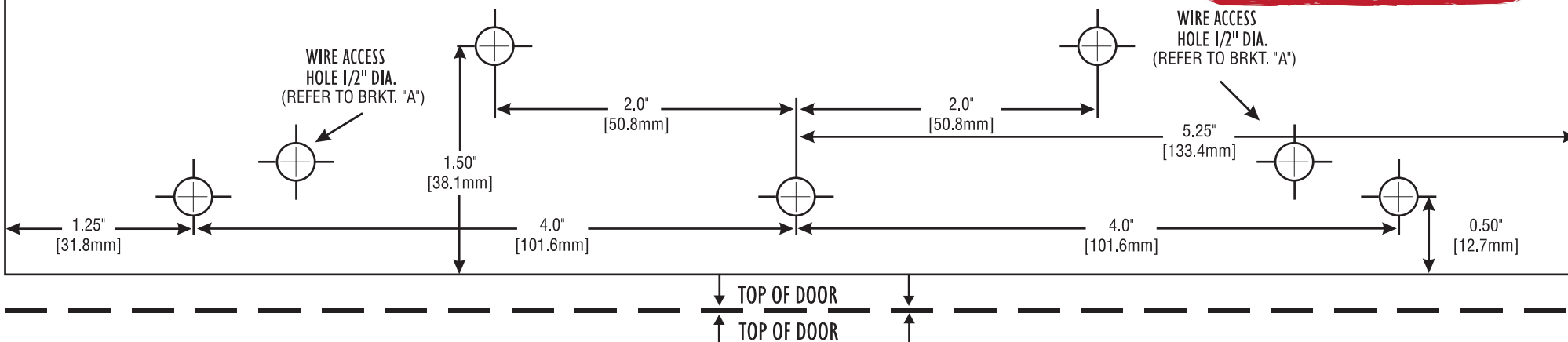


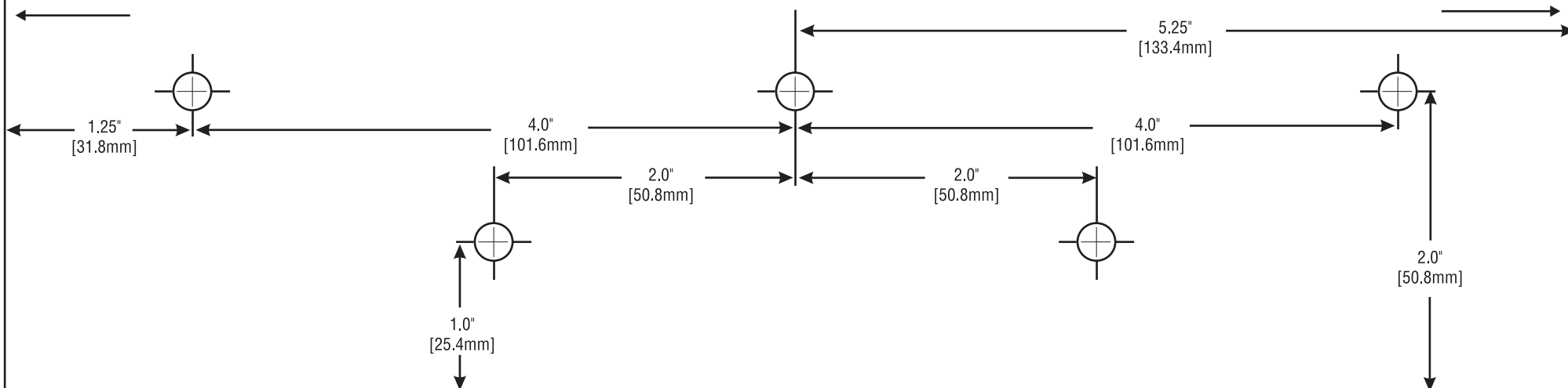
TEMPLATE FOR 8310/8320* TOP JAMB BRACKET ACCESSORY

DO NOT SCALE
For dimensional purposes only



PLACE AT LEAST 1.25" (32mm) FROM VERTICAL JAMB OPPOSITE HINGES FOR L.H.R. DOOR INSTALLATION FOR 8310*

PLACE AT LEAST 1.25" (32mm) FROM VERTICAL JAMB OPPOSITE HINGES FOR R.H.R. DOOR INSTALLATION FOR 8310*



* For double door 8320 model installation is centered between the doors with two of these templates.

**REFERENCE ISTJ TOP JAMB BRACKET
INSTALLATION INSTRUCTIONS**

