



In or Out...we make it Easy!®

8320-101

Double Outswinging Interior or Perimeter Doors without mullion (use 8310M-101 model for mullion)

8310-101

Single Outswinging Interior or Perimeter Doors



Features & Benefits

- MOV surge protection
- Conforms to life safety NFPA-101, MEA, BOCA, UBC and National Building Code (Canada)
- Local annunciation by audible alarm
- Auxiliary output dry contacts for remote signalling of external alarm or sounding device.
- Momentary bypass circuit (requires time delay dry contact closure – see options)
- Anodized brushed aluminum or brushed dark bronze finish

Delayed Egress

This system provides security for emergency exit doors while maintaining life safety. The 8310-101 and 8320-101 are ideal systems to use with existing door hardware. The electromagnetic lock cannot be unlocked from the outside unless manually bypassed by key and access control.

Releasing the mechanical lock (exit device or lockset) and pressing on the door begins a delay (along with the local alarm), giving the facility's staff time to check the exit. The system will then relock accordingly to the timing option chosen (see Timing Options below).

Highlights

- Sensitive electronics mounted in cabinet, not in lock
- Use existing door hardware (no need for exit device)
- Up to 1500 lbs. holding force
- 1-year limited warranty

Applications

INTERIOR

Ideal for retrofit applications using existing mechanical door hardware.

Usage

- Nursing Homes
- Retail Stores
- Office Complexes
- Warehouses
- Institutional Facilities
- Correctional Facilities
- Grocery Chains

System Components

- 8310 electromagnetic lock (2 locks supplied with 8320-101 and 8310M-101 system) with built-in local alarm
- Steel cabinet which houses egress control timing electronics
- Transformer (16VAC/40VA plug-in)
- NFPA-101 door signage

Options

Keyswitch 960TD or Keypad 9212SE

Time delayed bypass for authorized access or egress

Manual Maintained Keyswitch 960MA

Turns system on and off

Multi-door Electronic Control Module

Programmable; controls up to 10 zones

Lock Status Sensor (LSS)

Remote monitoring and local LED indication with 903 audible alarm

Timing Options A - Auto Relock, M -Manual Relock, N -Nuisance (3 sec. delay)

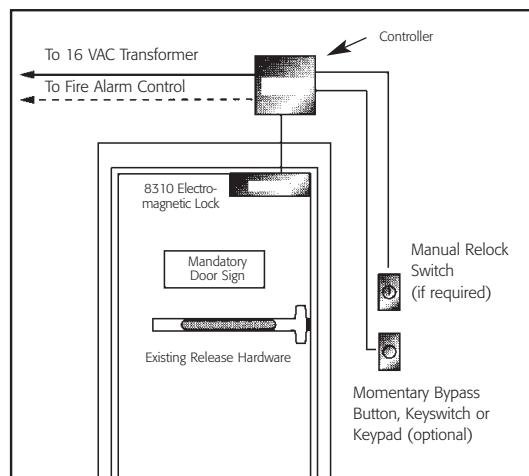


In or Out...we make it Easy!®

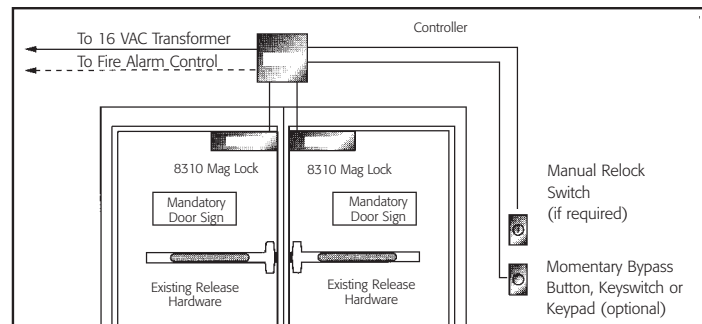
NOTE: Specifications are subject to change without notice.

Specifications	8310-101	8320-101/8310M-101
Housing Dimensions	1-5/8"D x 2-7/8"W x 10-1/2"L (including 1/4" mounting bracket)	1-5/8"D x 2-7/8"W x 21"L (including 1/4" mounting bracket)
Armature Plate Dimensions	Standard 5/8"D x 2-3/8"W x 7-7/16"L	Standard 5/8"D x 2-3/8"W x 7-7/16"L
Controller Voltage	Input 16VAC/40VA Output 12VDC Tolerance ±10%	Input 16VAC/40VA Output 12VDC Tolerance ±10%
Power/Current Requirements	0.43 Amps	0.90 Amps
Holding Force	One-point locking (up to 1500 lbs)	Two-point locking (up to 1500 lbs each point)
Output Relays	2.0 AMP 30VDC	2.0 AMP 30VDC
Wiring Requirements	2 wires – power input 4 wires – relays output	2 to 4 wires – power input 4 to 8 wires – relays output
Operating Temperature	-10 to 60° C -14 to 140° F	-10 to 60° C -14 to 140° F

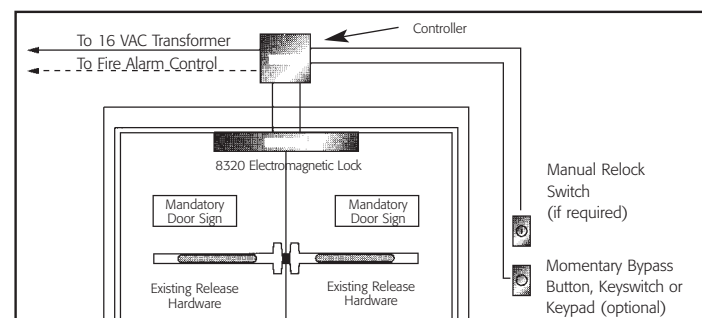
NOTE: 16VAC is required for operation of system. (plug-in transformer supplied) Controller converts AC to DC for proper operation of electromagnetic lock. RCI recommends frame reinforcement and our 10 Series filtered, regulated DC power supplies.



8310-101 SINGLE DOOR SYSTEM



8310M-101 DOUBLE DOOR SYSTEM WITH MULLION



8320-101 DOUBLE DOOR SYSTEM WITHOUT MULLION

RCI also offers a complete line of Electromagnetic Locks, Electric Strikes, Power Supplies, Switches, Keypads & Readers, Exit Devices, Systems & Door Hardware.