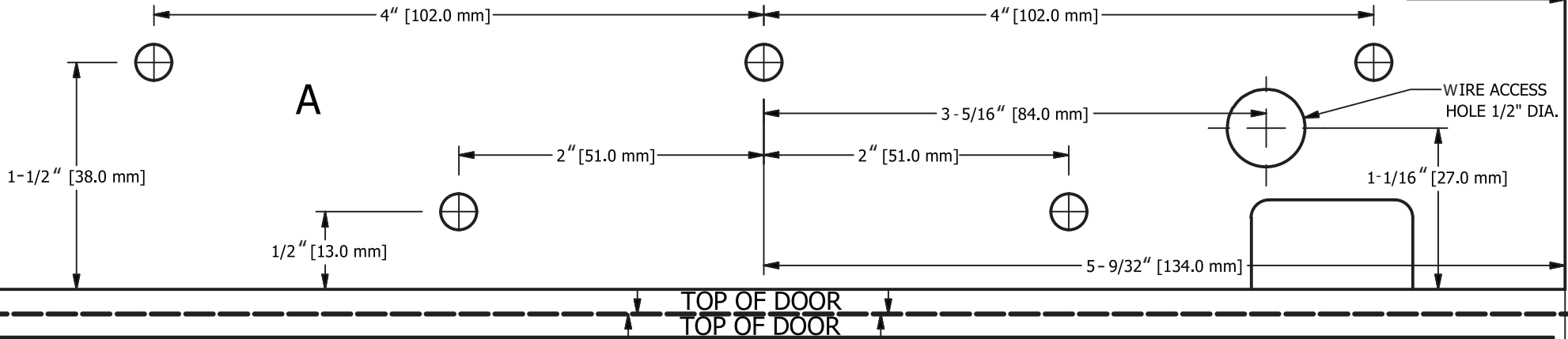


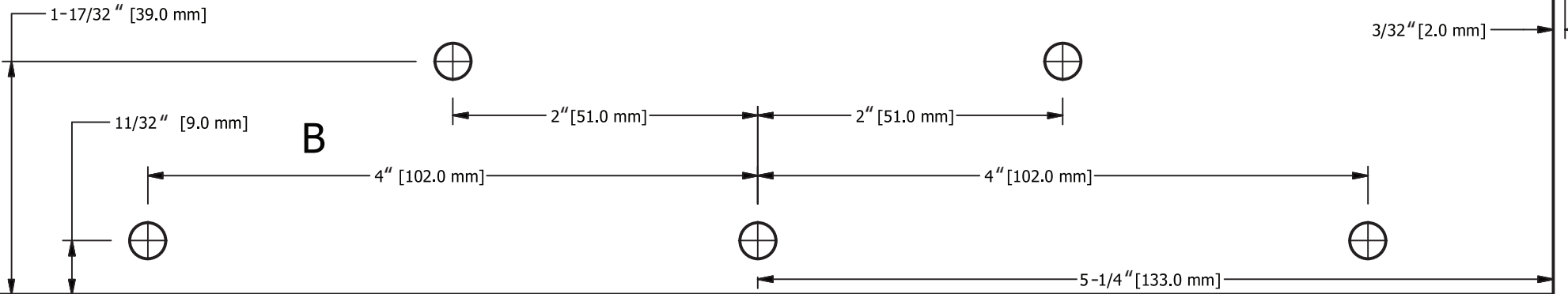
TEMPLATE FOR 8310 TOP JAMB BRACKET ACCESSORY

PLACE AT LEAST 1-1/4" [32mm] FROM VERTICAL JAMB OPPOSITE HINGE FOR L.H.R. DOOR INSTALLATION

PLACE AT LEAST 1-1/4" [32mm] FROM VERTICAL JAMB OPPOSITE HINGE FOR R.H.R. DOOR INSTALLATION



TOP OF DOOR
TOP OF DOOR



DO NOT SCALE
For dimensional purposes only

READ ISTJ-02 TOP JAMB BRACKET INSTALLATION INSTRUCTIONS

WARNING: Improper installation, maintenance, inspection or use of this or any related product may cause the electromagnet lock, armature plate and associated hardware to disengage and fall, causing serious bodily injury and property damage.

Rutherford Controls Int'l Corp. will not be liable to the installer, purchaser, end user or anyone else for damage or injury to person or property due to improper installation, care, storage, handling, maintenance, inspection, abuse, misuse or act of God or nature involving this or any related product.

