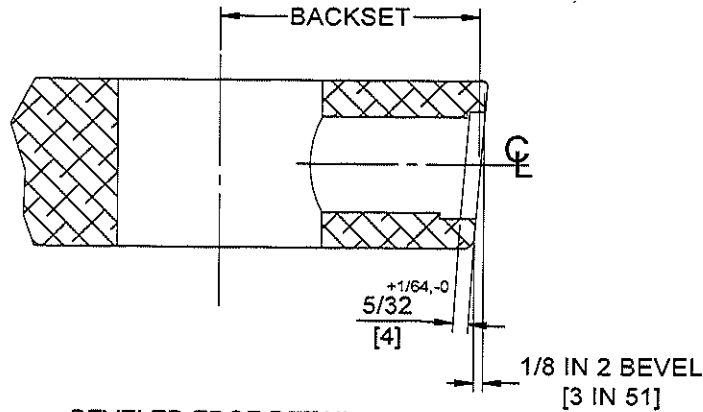
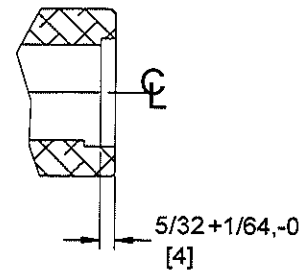


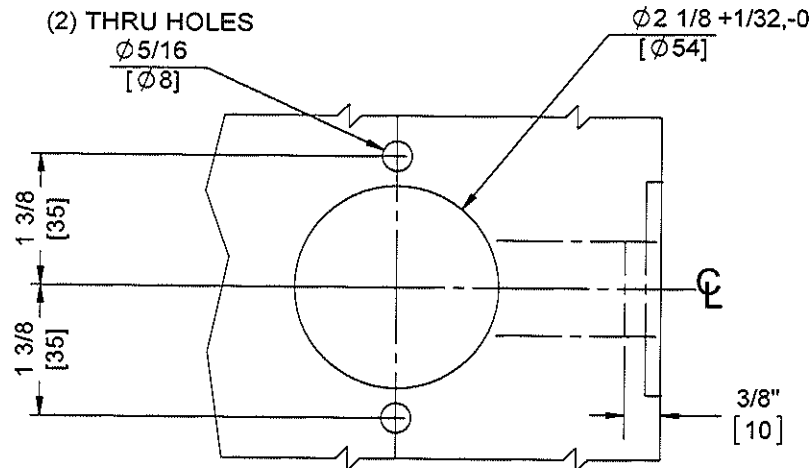
- NOTES:
 1. DIMENSIONS ARE IN INCHES/ [MM]
 2. DO NOT SCALE DRAWING.



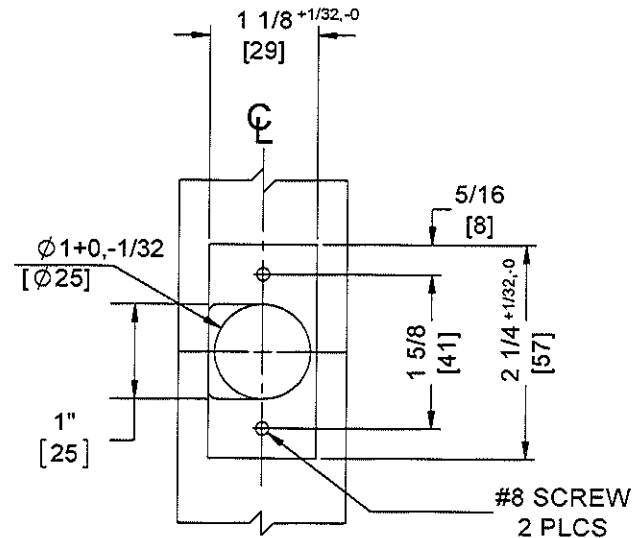
BEVELED EDGE DETAIL
 LH SHOWN, RH OPPOSITE



FLAT EDGE DETAIL (OPTIONAL)



DOOR FACE DETAIL



DOOR EDGE DETAIL
 LH SHOWN, RH OPPOSITE

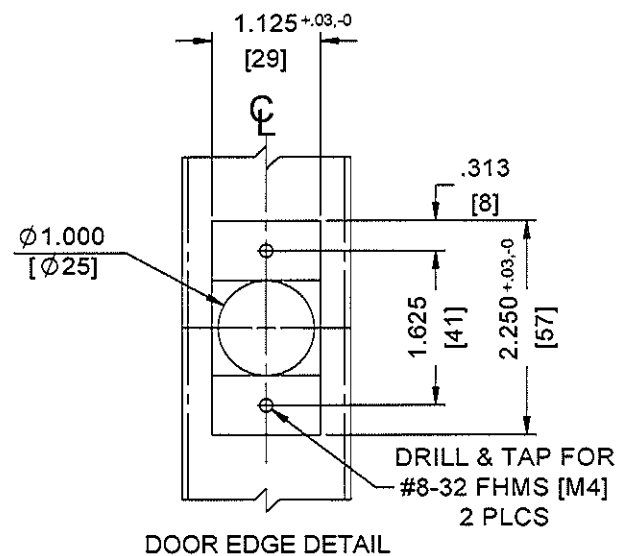
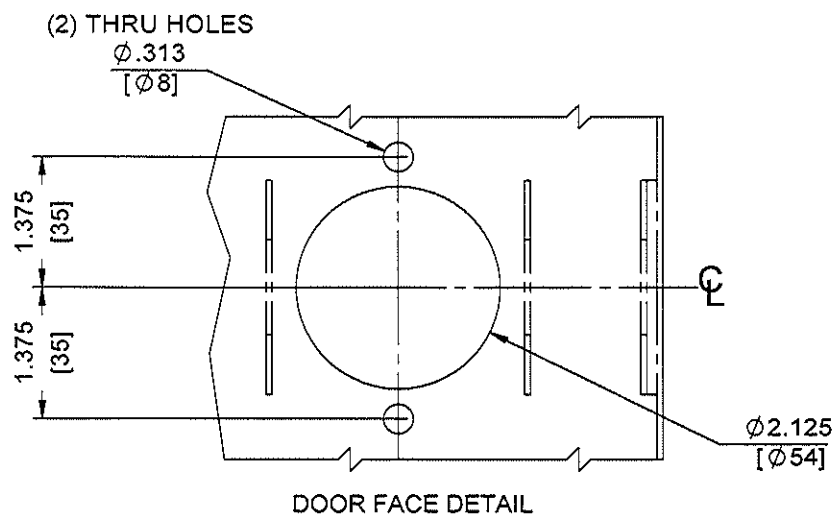
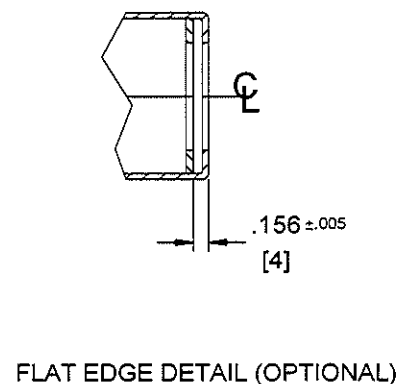
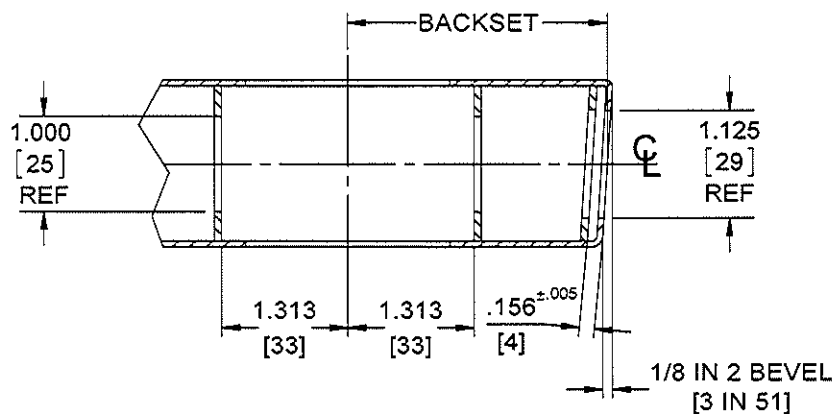
Wood Doors For:
 CL800 Series with 18262 Latch
 Face Plate 1-1/8" Flat or Beveled



DORMA Architectural Hardware
 Reamstown, PA 17567

NOTES:

1. DIMENSIONS ARE IN INCHES/ [MM]
2. DO NOT SCALE DRAWING.



Metal Doors For:
 CL800 Series with 18262 Latch
 Face Plate 1-1/8" Flat or Beveled



DORMA Architectural Hardware
 Reamstown, PA 17567