



RUTHERFORD CONTROLS

In or Out... we make it Easy!®

10 SERIES POWER SUPPLY

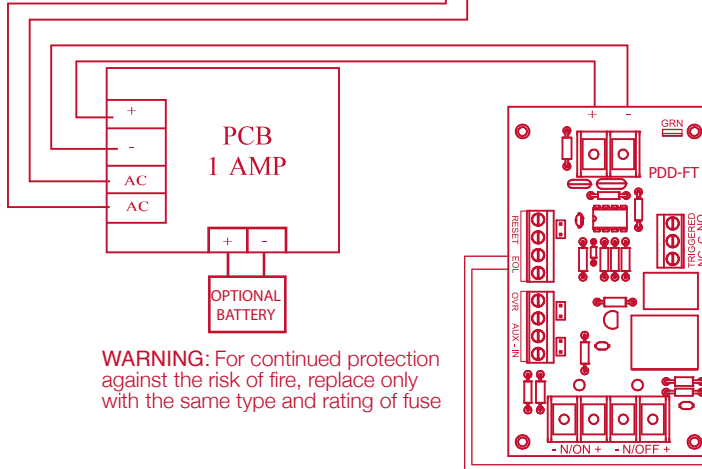
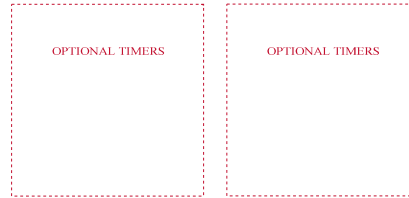
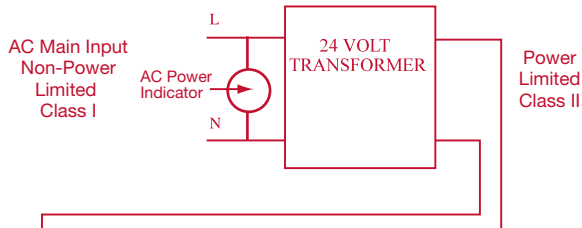
VOLTAGE 12V 24V

TIMERS TD1 TD2 TD3 TD4

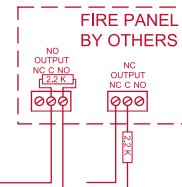
BATTERY BACKUP 4 AH 7 AH

* prior to using battery back-up, check with the AHJ to ensure code compliance

MODEL	1012-FPD	1024-FPD
Input	120 V, 60Hz	
Output	12V, 600 mA, 40 VA	24V, 775 mA, 40 VA



See separate PDD-FT application diagrams
Outputs are Class II



WARNING: For continued protection against the risk of fire, replace only with the same type and rating of fuse

NOTE: DRAWING FOR REFERENCE PURPOSES ONLY. ACTUAL INSTALLATIONS MUST FOLLOW LOCAL ELECTRICAL AND BUILDING CODE.

PS10-1 PCN090006
R04/10SH