

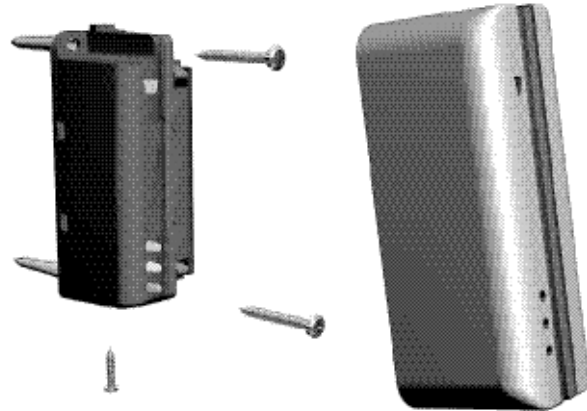


Easy Read-Magstripe® Card Reader

In or Out... we make it Easy!®

Mounting Instructions

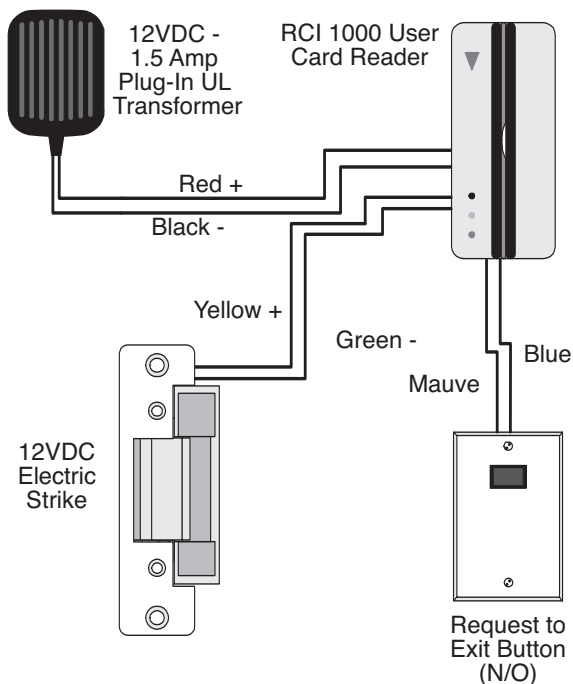
1. Drill 3/8" diameter hole for wire entry.
2. Positioning the card reader over this opening, mark the location of the two mounting screws. Drill appropriately for mounting surface.
3. Make electrical connections as per schematic below, removing clear plug-in connector on end.
4. Mount reader.
5. Engage cover at the top and pivot down. Secure with bottom screw.



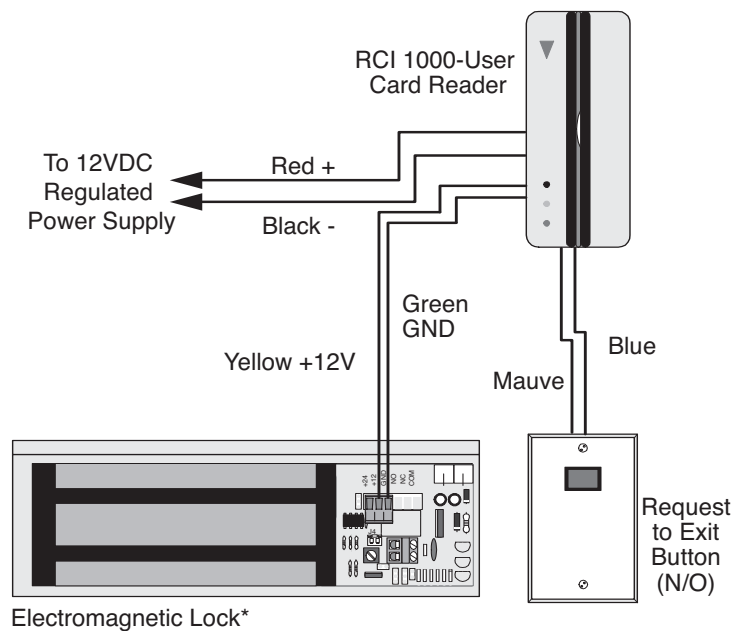
NOTE: READER IS WEATHER-RESISTANT. **Do not apply sealant or gaskets** to the rear of the reader, as this may cause condensation to build up and adversely affect reader operation.

Electrical Installation Instructions

Basic Access Control with a Door Strike



Basic Access Control with an Electromagnetic Lock



*Drawings for reference only. All installations must conform to local fire codes, National Building codes and Life Safety Codes. Using correct wire gauge is essential. If used with an electromagnetic lock, RCI recommends our 10 Series 12VDC power supplies. If electromagnetic lock is rated for 500+ mA, an external relay must be used.

Programming Instructions

The reader operates with a pack of cards which contain a **Master Card, Lock Mode Card and 100 Enrollment (Shadow) Cards**. When the reader is powered up for the first time (green arrow flashing, green, yellow and red steady), initialize by swiping the master card through it. (Unit beeps and all lights will be on.)

Setting the reader to operate in fail unlocked mode:

1. Swipe the Lock Mode Card to operate fail unlocked locks such as magnetic locks.
2. Swipe the Lock Mode Card at any time to change back to fail locked operation.

Setting the "door open" time:

1. Swipe the Master Card through the reader.
2. Pause for the length of time you wish the door to remain unlocked. (Green arrow will be steady; green, yellow and red lights will be off; unit will continue beeping once per second.)
3. Swipe the Master Card again. (Unit will beep twice and all lights will turn on.)
4. The "door open" time is now set for the interval between the first and second swipes.

To Enroll a user card on the reader:

1. On a paper Shadow Card from the pack, write a user's name in the space provided.
2. Swipe the Shadow Card through the reader. (Unit will beep once; arrow will flash; all other lights will turn off.)
3. Within 10 seconds swipe the card which is to be the access card through the reader. This may be the user's credit card or any other ANSI Track 2 encoded card. The user's card is now programmed in the reader to permit access. (Unit will beep three times and all lights will turn on.)
4. Store the Shadow Card safely away.

To DELETE a user's card from the reader:

1. Swipe the Shadow Card of the user you wish to delete through the reader. (Unit will beep three times; green, yellow and red lights will turn off momentarily then light up again.)
2. The reader will now no longer accept the user's card.
3. Store the Shadow Card to use in the future for another user, if desired.

To Enroll another card pack:

Additional card packs may be enrolled to increase the capacity of the system. Up to four packs, each with 250 shadow cards, may be enrolled on one system to give a maximum user card capacity of 1,000.

1. To enroll an additional pack, swipe the Master Card from the card pack that has already been used on the system through the reader.
2. Swipe the Master Card from the new card pack.
3. The new pack of additional shadow cards can now be used on the system.
4. Repeat steps 1 through 3 for each additional card pack.

To Delete a card pack:

1. Swipe the Master Card twice quickly up from the bottom. (On the first swipe, arrow goes out and lights will blink in sequence. Second swipe, flashing sequence will freeze for 10 seconds then beeps twice.)
2. The card pack has now been removed from the system. Repeat as required for other packs. When all card packs have been removed green arrow will flash.

Reset Instructions:

The magstripe card reader will remember its settings and the details of card validity in the event of a power failure. A data reset may be carried out to return the unit to its factory settings. **Note: This will remove any enrolled cards.** The procedure for doing this is as follows:

1. Turn off power to the reader.
2. If an exit button is fitted then press and hold. If there is no exit button, short mauve and blue wires by connecting them.
3. Reapply power to the unit. The reader will beep twice. After a brief pause the red LED will light with a beep. Release the exit button or disconnect the mauve/blue wires. (reader will beep twice, green arrow flashing, green, yellow and red steady.)
4. Turn off the power to the reader.

The card reader has now reverted to Factory Settings which are: door open time = 7 seconds / fail locked operation / no cards valid. **See above programming instructions to reconfigure the system.**