

INSTALLATION

906, 908, 916, 918, 919, 920

MUSHROOM CAP SWITCH CONNECTION



*In or Out... we make it Easy!**

906



908



916



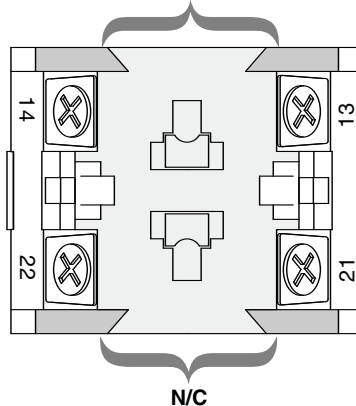
918



919



Rearview
N/O



920



Description	Switch Mode	Switch Configuration	Switch Rating	Standard Finish
906-MO Handicap	Momentary Action	1 x SPST N/O & 1 SPST N/C	10A @24V UL/CSA	32D Blue Cap
906-TD Handicap	Adj. Delay 1 sec - 34 hrs*	DPDT N/O & N/C	5A @24V UL/CSA	32D Blue Cap
906-MA Handicap	Maintained Action	1 x SPST N/O & 1 SPST N/C	10A @24V UL/CSA	32D Blue Cap
908-MO Exit Button	Momentary Action	1 x SPST N/O & 1 SPST N/C	10A @24V UL/CSA	32D Red Cap
908-TD Exit Button	Adj. Delay 1 sec - 34 hrs*	DPDT N/O & N/C	5A @24V UL/CSA	32D Red Cap
908-MA Exit Button	Maintained Action	1 x SPST N/O & 1 SPST N/C	10A @24V UL/CSA	32D Red Cap
916-MO Handicap	Momentary Action	1 x SPST N/O & 1 SPST N/C	10A @24V UL/CSA	28 or 40 Blue Cap
916-TD Handicap	Adj. Delay 1 sec - 34 hrs*	DPDT N/O & N/C	5A @24V UL/CSA	28 or 40 Blue Cap
916-MA Handicap	Maintained Action	1 x SPST N/O & 1 SPST N/C	10A @24V UL/CSA	28 or 40 Blue Cap
918-MO Exit Button	Momentary Action	1 x SPST N/O & 1 SPST N/C	10A @24V UL/CSA	28 or 40 Red Cap
918-TD Exit Button	Adj. Delay 1 sec - 34 hrs*	DPDT N/O & N/C	5A @24V UL/CSA	28 or 40 Red Cap
918-MA Exit Button	Maintained Action	1 x SPST N/O & 1 SPST N/C	10A @24V UL/CSA	28 or 40 Red Cap
919-MA Rotary Release	Maintained Action	1 x SPST N/O & 1 SPST N/C	10A @24V UL/CSA	28 or 40 Red Cap
920-MA Rotary Release	Maintained Action	1 x SPST N/O & 1 SPST N/C	10A @24V UL/CSA	32D Red Cap

*Mounted separately. N/C – Normally Closed; N/O – Normally Open **NOTE:** Specifications are subject to change without notice.

9 Series Time Delay Wiring Schematic

S1 in **OFF** position, relay active during time delay. In **ON** position relay is active after time delay.

S2 in **OFF** position, timer starts when trigger is grounded. In **ON** position timer starts when trigger is released from ground.

S3 in **OFF** position, time in seconds. In **ON** position the time is in minutes.

S4 in **OFF** position, timer cycles once. In **ON** position, timer cycles continuously.

S16 in **OFF** position, timer operates normally. In **ON** position, relay cycles 1sec on, 1sec off for the amount of time set.

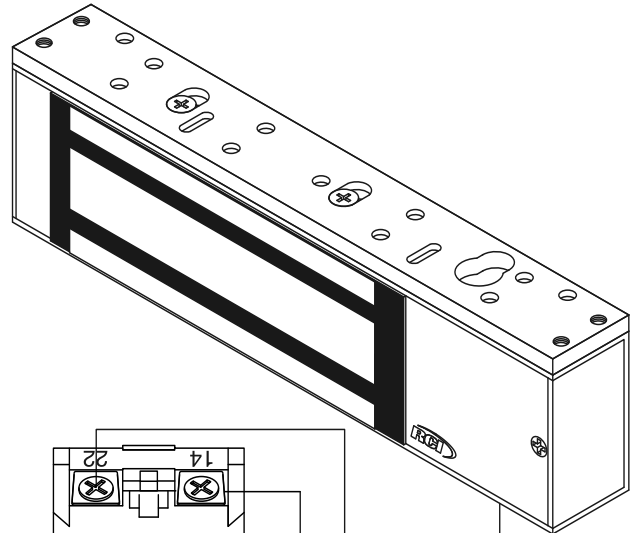
Note: If the time is set to zero and **S16** is **ON** the relay cycles indefinitely.

Note: At any time "trigger" (T) can be used to start the cycle. Connect a momentary push button between T and - (ground).

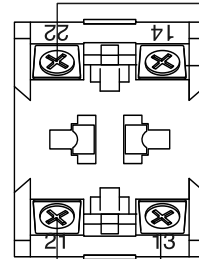
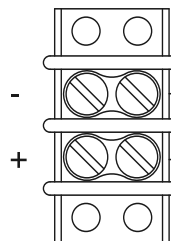
Switch Position

Sw#	Time
1	1
2	2
3	4
4	8
5	16
6	32
7	64
8	128
9	256
10	512
11	1024
12	
13	
14	
15	
16	

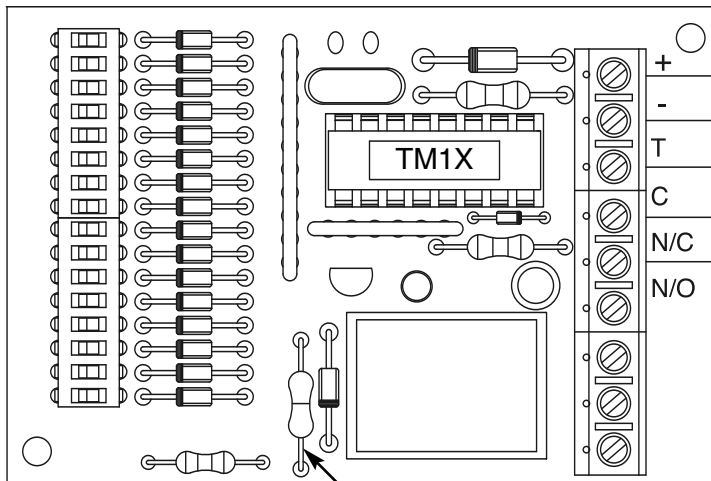
→ ON



Filtered and Regulated DC Power Supply



ELECTRIC STRIKE
(FAIL UNLOCK MODE)



Cut resistor for 24VDC operation

Setting Time Delay

ON position of switches 5-15 are used to set time delay. Use Switch Position diagram (inset above) to determine time values for individual switches.