

ILLUMINATED EXIT BUTTON



In or Out... we make it Easy!

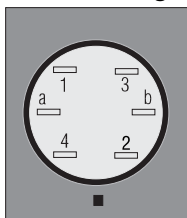
Instructions

1. Slide the colored leads onto the switch terminals according to the diagram below.
2. Check all connections to be sure that they are properly attached to the terminals. Fail locked (fail secure) and fail unlocked (fail safe) have different connections.
3. Connect leads to electric lock and check for proper operation, then fasten the plate to a utility box (supplied by others).

"N" narrow version (1-5/8" x 4-3/4") is compatible with 1-3/4" (or larger) narrow-frame profiles. Blue cap is standard.

Switch Terminals

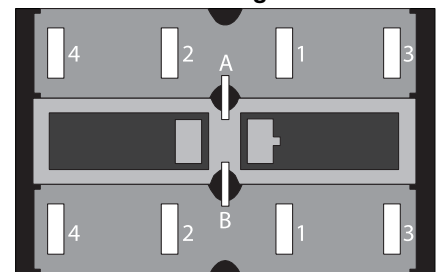
SPDT config.



REAR VIEW
Figure 1

#1 and #2 - Normally closed for fail unlocked systems
 #3 and #4 - Normally open for fail locked systems
 A and B - Hook up for illumination (light) of push button.
 12 or 24 volts must be specified.

DPDT diagram



REAR VIEW

970 Series

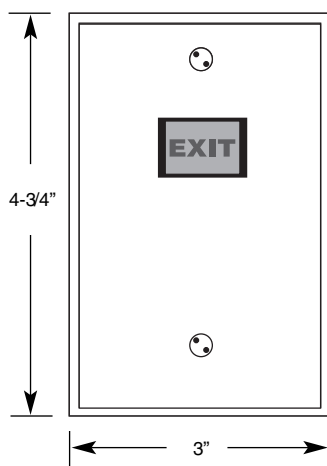
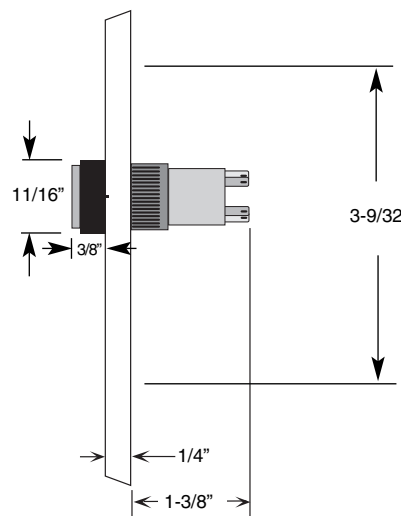


Figure 2



Side Profile

970 Installation Instructions (Continued)

9 Series Time Delay Wiring Schematic

S1 in **OFF** position, relay active during time delay. In **ON** position relay is active after time delay.

S2 in **OFF** position, timer starts when trigger is grounded. In **ON** position timer starts when trigger is released from ground.

S3 in **OFF** position, time in seconds. In **ON** position the time is in minutes.

S4 in **OFF** position, timer cycles once. In **ON** position, timer cycles continuously.

S16 in **OFF** position, timer operates normally. In **ON** position, relay cycles 1sec on, 1sec off for the amount of time set.

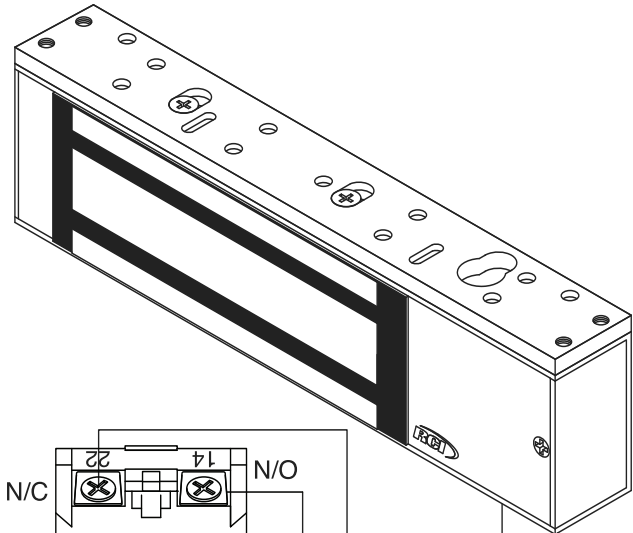
Note: If the time is set to zero and **S16** is **ON** the relay cycles indefinitely.

Note: At any time "trigger" (T) can be used to start the cycle. Connect a momentary push button between T and - (ground).

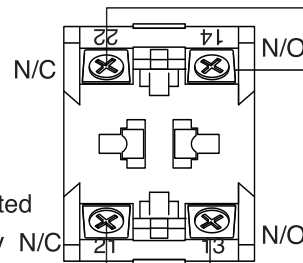
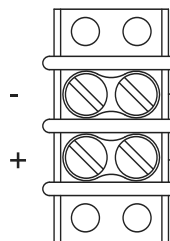
Switch Position

Sw#	Time
1	
2	
3	
4	
5	1
6	2
7	4
8	8
9	16
10	32
11	64
12	128
13	256
14	512
15	1024
16	

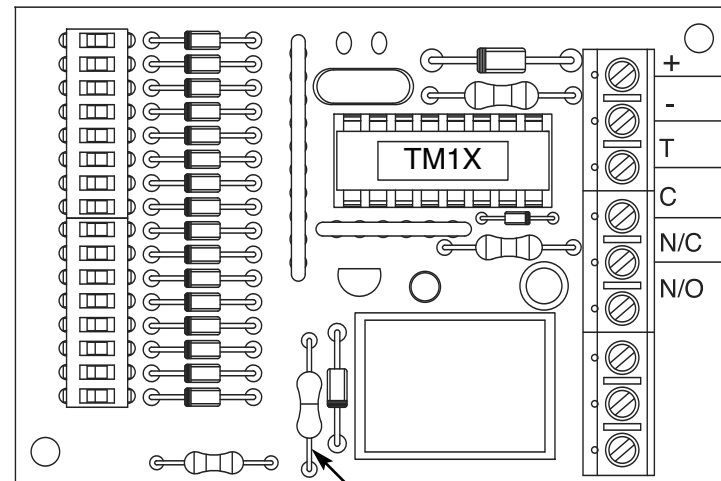
→ ON



Filtered and Regulated DC Power Supply



ELECTRIC STRIKE (FAIL UNLOCK MODE)



Cut resistor for 24VDC operation

Setting Time Delay

ON position of switches 5-15 are used to set time delay. Use Switch Position diagram (inset above) to determine time values for individual switches.