

## O SERIES SURFACE MOUNTED RIM STRIKE



*In or Out... we make it Easy!®*

**Important:** The 0162 Electric Strike is never to be used as a door stop. Please install stops on frame in appropriate locations. Ensure the exit device functions as intended for life safety concerns by verifying electric strike and exit device compatibility. Maximum latch projection is essential to obtain full holding force.

When installed in a fail locked manner, the local Authority Having Jurisdiction shall be consulted with regard to the use of selected panic hardware to ensure emergency exit from the secured area.

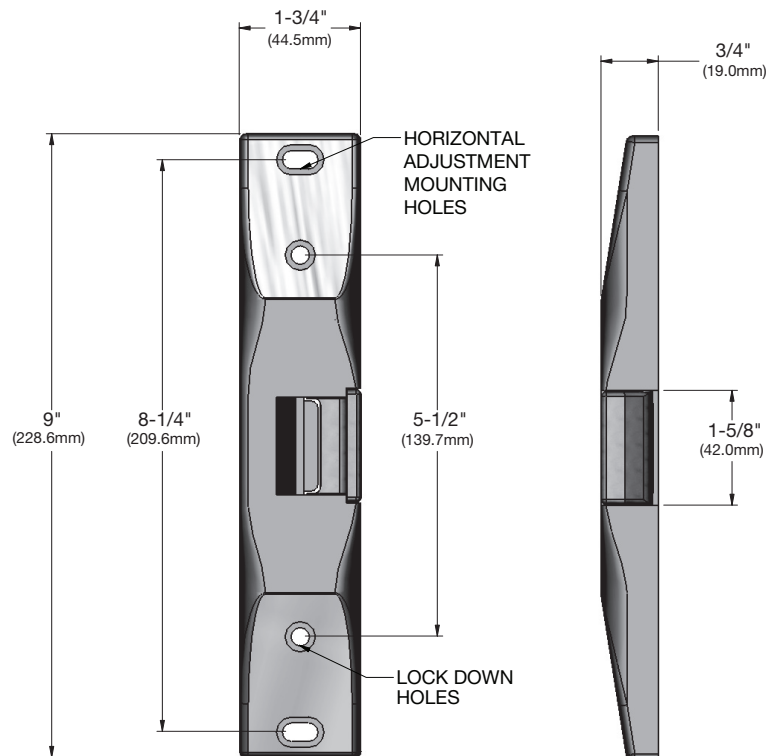
### Catalog Specifications

MODEL	MODE	VOLTAGE	CURRENT	DUTY	AMPS	OHMS
0162	Fail Locked	12V	AC	Intermittent	0.30	22
0162	Fail Locked	12V	DC	Continuous	0.50	22
0162	Fail Locked	24V	AC	Intermittent	0.64	22
0162	Fail Locked	24V	DC	Continuous	0.24	89
0162	Fail Locked	11-16V	AC	Intermittent	0.35-0.50	22

Fail Locked = Fail Secure = FL AC = Alternating Current DC = Direct Current

Intermittent Duty = Energized less than 1 minute with 1:5 duty ratio Continuous Duty = Energized 1 minute or more

### Dimensional Details



# 0162 Installation Instructions (cont'd)

## Instructions

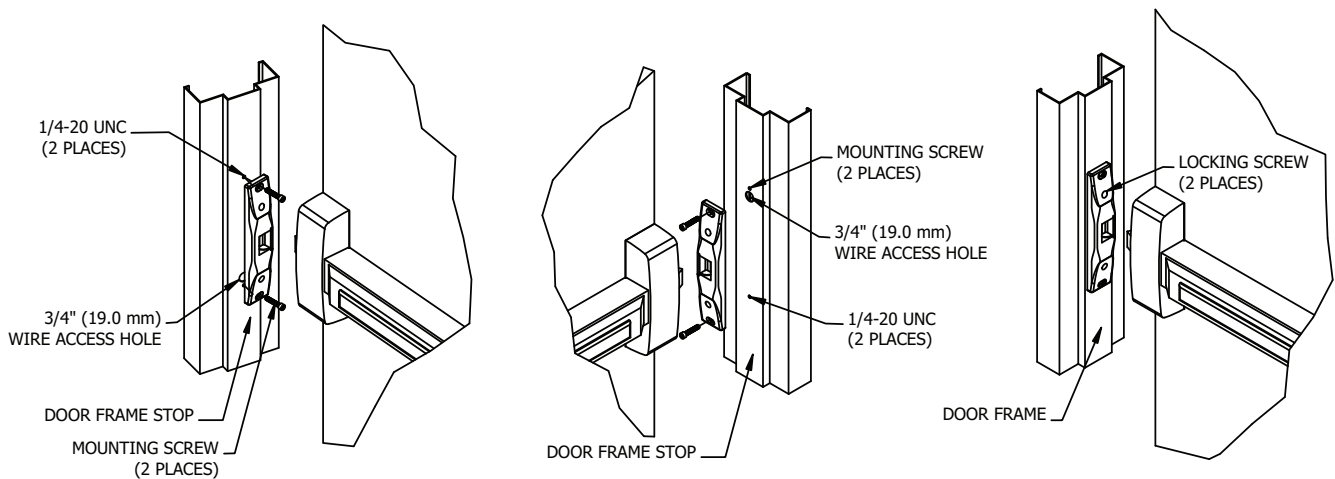
1. Determine the horizontal centerline of the exit device latch and transfer centerline to the frame stop.
2. Position the template onto the frame aligning with centerline and against the closed door. Center-punch the two mounting holes and the wire access hole as shown.
3. Drill and tap the two mounting holes and drill the wire access hole.
4. Test fit electric strike to ensure full latch engagement. Add provided spacer if required.
5. Make wire connections from the power source to the appropriate wire harness supplied. Use 12VDC wire harness for 12VDC, 12-24VAC or 11-16VAC input power. Use 24VDC wire harness for 24VDC input power only.

**NOTE:** Overheated or burnt coils caused by incorrect input voltage / wire harness combinations will not be covered under warranty

6. Mount the electric strike with 1/4-20 UNC screws provided in the horizontal mounting holes (the outer slots). Adjust electric strike horizontally until exit device latch fully engages with the door closed.

**NOTE:** Ensure a 1/16" [1.5mm] clearance between exit device latch and the electric strike is maintained

7. Tighten the two mounting screws and check operation. Adjust the horizontal position of electric strike as required.
8. Using the electric strike as a template, drill & tap the two locking holes for 1/4-20 UNC screws . Using the 1/4-20 UNC screws provided secure the electric strike through the locking holes.



**NOTE:** Wire access hole location is relative to the exit device orientation.

**NOTE:** Not to scale. Specifications are subject to change without notice.