

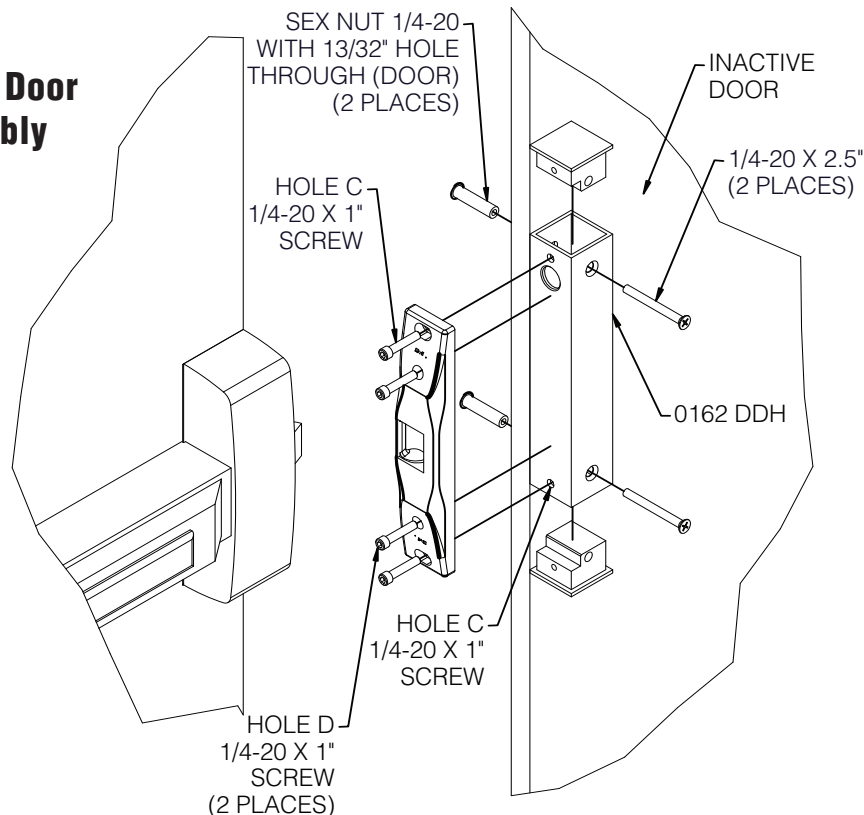


In or Out... we make it Easy!®

Instructions

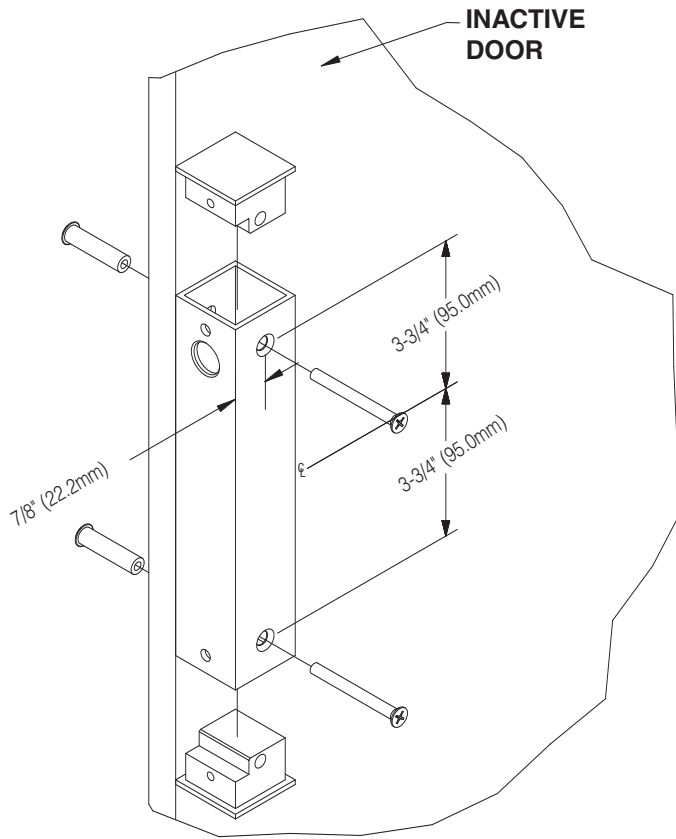
1. Mark horizontal center line (CL) of existing device latch from active door to inactive door.
2. Mark the mounting holes for the Double Door Housing (DDH) on the inactive door.
3. Drill two 13/32" (10.5mm) holes through inactive door.
4. Mount DDH to inactive door using hardware as shown below.
Note: Wire access hole is not provided, drill DDH as required.
5. Make wire connections from the power source to the appropriate wire harness supplied. Use the 12V harness for 12VDC, 12-24VAC or 11-16VAC. Use the 24V harness only for 24VDC.
6. Mount the electric strike with 1/4-20 UNC (Hole C) screws provided in the horizontal mounting holes (the outer slots). Adjust electric strike horizontally until exit device latch fully engages with the door closed.
Note: Ensure a 1/16" [1.5mm] clearance between exit device latch and the electric strike is maintained.
7. Tighten the two mounting screws and check operation. Adjust the horizontal position of electric strike as required.
8. Using the electric strike as a template, drill & tap for 1/4-20 UNC (Hole D) screws the two locking holes. Using the 1/4-20 UNC screws provided secure the electric strike through the locking holes.
Note: 0162 strike is not adjustable after installing these screws.

Typical Double Door Housing Assembly

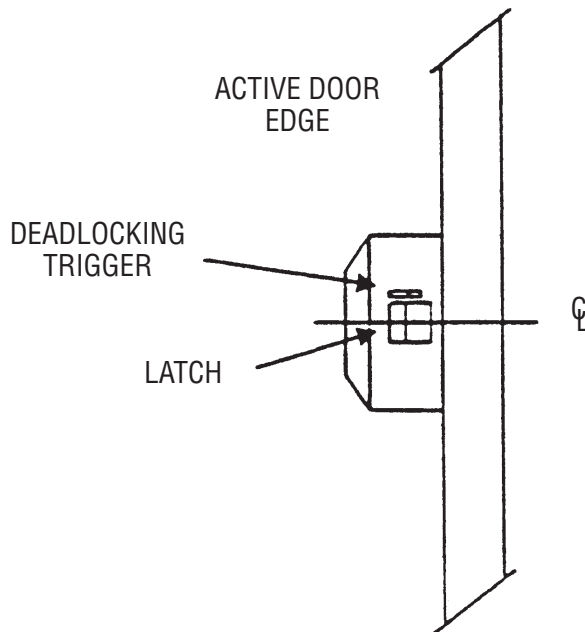


0162 Double Door Housing Installation Instructions (con't)

Door Prep Details



Typical Surface Exit Device



NOTE: Not to scale. Specifications are subject to change without notice.