



9 Series Illuminated Pushbuttons with Intergrated Timer

In or Out... we make it Easy!

Instructions

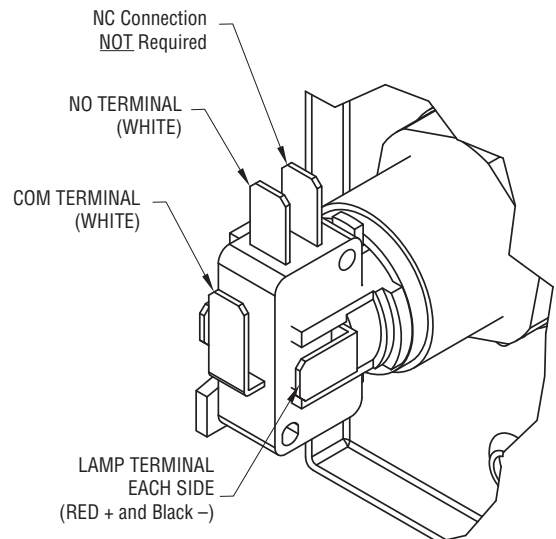
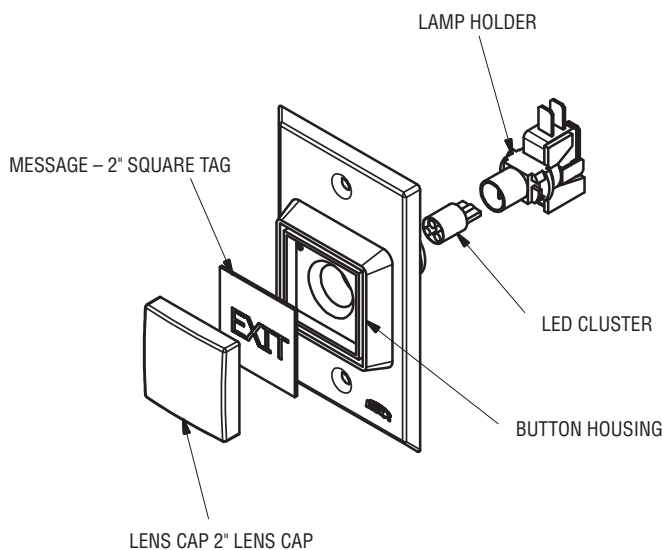
A 2-1/4" (57mm) deep back box is required. Match your message color with lens cap color and snap into the housing. Timer and pushbutton connections are already wired as shown.

To change the lamp voltage, slightly turn the white lamp holder in a counterclockwise direction to release from the black housing and pull it out. Change the lamp or LED cluster as desired and re-turn the lamp holder back into place.
NOTE: If LED doesn't light, reverse bulb in socket.

Connect appropriate 12 or 24 VDC supply voltage to the red (+) and black (-) harness leads.

WARNING: Overheated / Melted components caused by incorrect input voltage / bulb voltage combination will not be covered under warranty.

To change the message tag, remove the lamp holder as described above and then pinch the white tabs to release the lens cap. Be careful not to lose the spring. Insert your thumbnail between the corner of the lens cap and white extension and then slide it along the edge to separate the cap. Tap the cap to remove the message tag.



Power Requirements

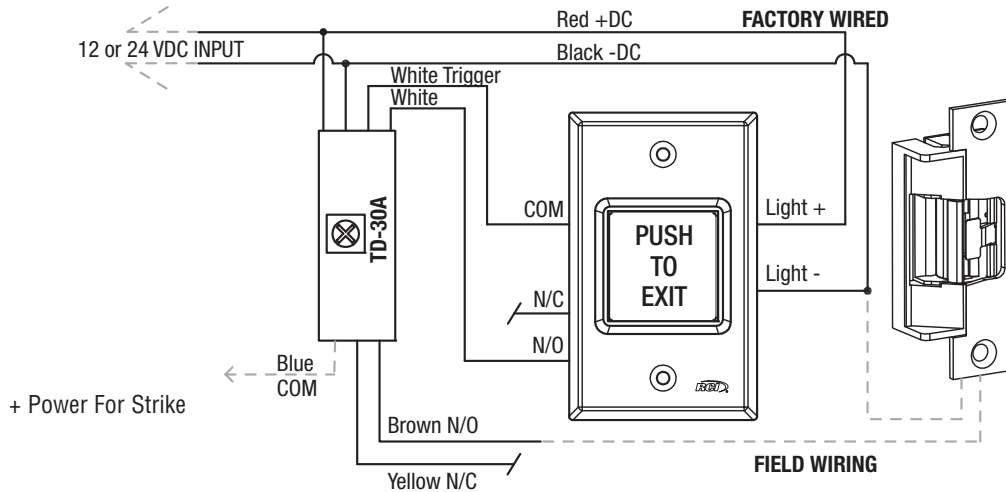
Bulb	Voltage	LED Current Draw
LED	12VDC	60mA
LED	24VDC	60mA
Incandescent Bulb #158	12VDC	24mA
Incandescent Bulb #400	24VDC	10mA

Switch Rating

Cycle Rating: 100,000
 Contacts Rated 10 amps @ 125VAC
 Operating Temperature: -10°F to 185°F (-23°C to 85°C)

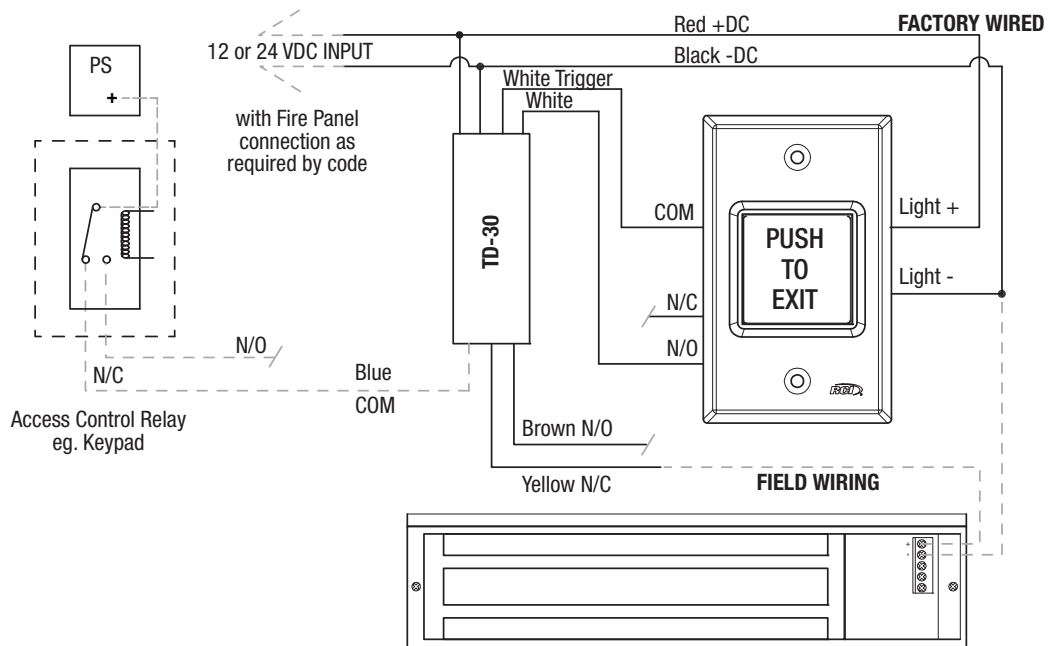
972 with Intergrated 30 Second Fixed and Adjustable Timers

Typical Installation for **972-TD30A ADJUSTABLE RELOCK TIMER** with Fail Secure Strikes
 The intergrated timer is adjustable from 0.1 - 30 seconds



- Both timers are powered continuously
- Voltage for both timers is 12 to 24 VDC
- Each push on exit button will restart the delay period.
- The trigger is connected to a N/O push button
- Double sided tape is provided to position the timer inside the switch junction box.
- Timer SPDT relay rating 2Amp@30VDC

Typical Installation for **972-TD30 FIXED RELOCK TIMER** with Electromagnetic Lock for Access Controlled Egress Doors with 30 Second Minimum Unlock Requirement



NOTE: Connect to + and - per electromagnetic lock instructions