

## Pushbutton Switches



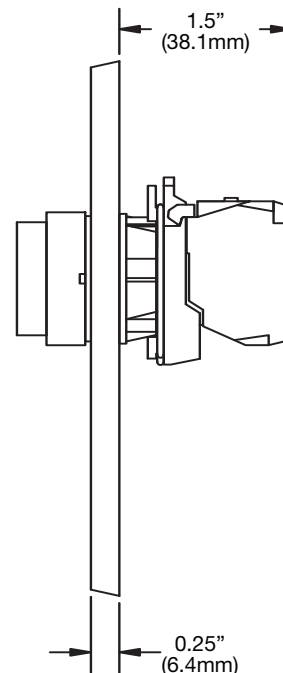
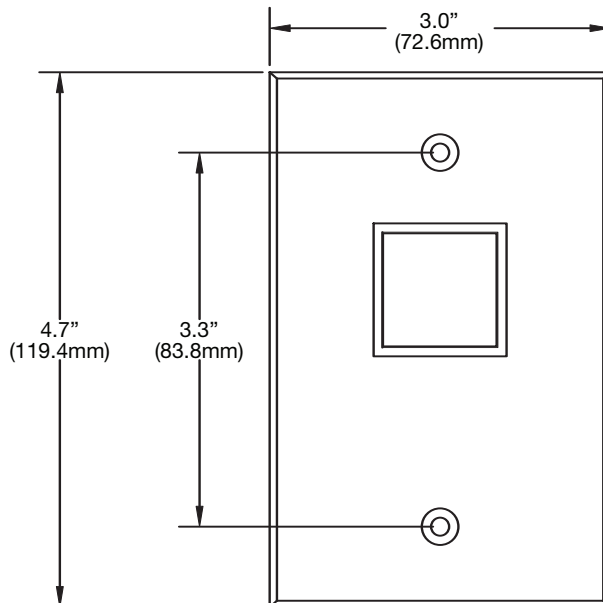
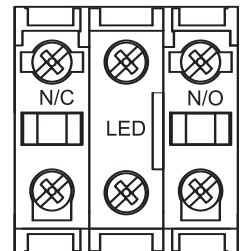
*In or Out... we make it Easy!*

## Instructions

1. Connect device to be controlled to N/O or N/C terminals as required.
2. Connect appropriate supply voltage to LED power terminals (optional)
3. Insert excess wiring into electrical box (not provided) and install switch cover plate to box.

NOTE: Contact and LED modules may be different than example shown depending on which model is ordered. See back of Switch for details on configuration.

### Switch View



### Switch Contact Specifications

Voltage	Current Rating
24VAC	4A Max
120VAC	8A Max
24VDC	0.5A Max

### LED Module Specifications

LED Voltage	LED Current Draw
12VAC/DC	36mA
24VAC/DC	18mA

Cycle Rating of Switch modules: 5,000,000 cycle Operating Temperature: - 13°F to 158°F (-25°C to 70°C)

- Items Include:
- 975 Pushbutton (1)
  - #6 Spanner Head Screws (3)
  - Thumb Driver Tool (1)
  - Installation Instructions (1)