

ECONOMY PUSHBUTTON



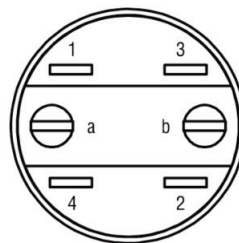
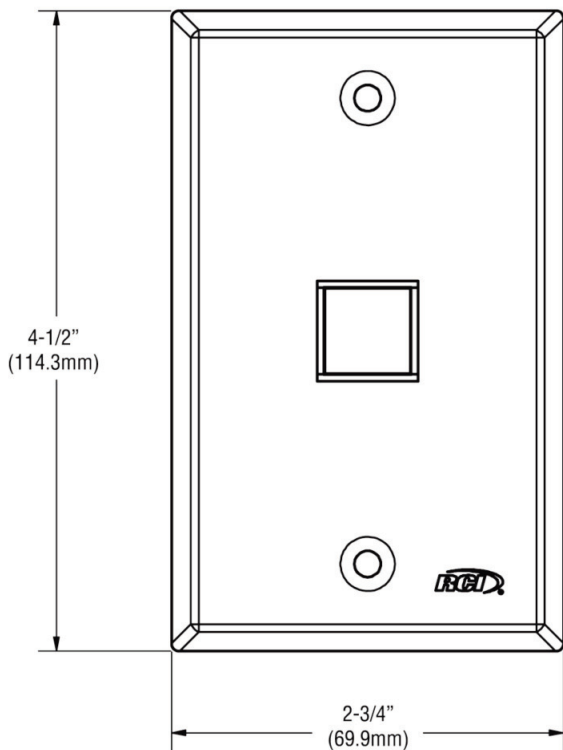
In or Out... we make it Easy!®

Instructions

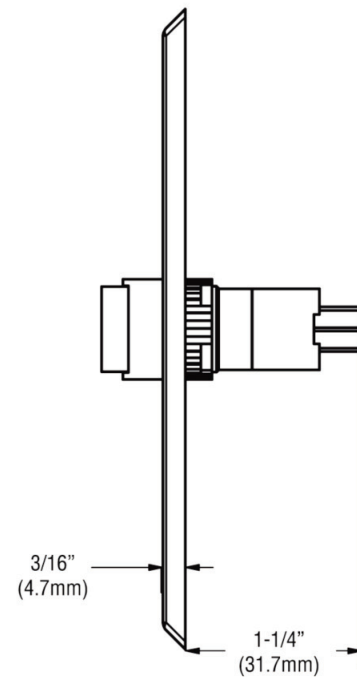
1. Solder the leads to the switch according to the diagram below.
2. Ensure that all connections are properly attached to the terminals according to the mode of electrical device.
3. Connect leads to the electric locking device and check for proper operation, then fasten the face/mounting plate to a utility box (supplied by others).

Switch Terminals

- a & b Lamp (not provided)
- 3 & 4 normally open for fail locked devices
- 1 & 2 normally closed for fail unlocked devices



Rear View
3:1 scaled



Description	Switch Mode	Switch Configuration	Switch Rating	Standard Finish
980-MO Pushbutton	Momentary Action	2 – SPST	5A @ 250V	32D

NOTE: Specifications are subject to change without notice.